

INSTRUCTION MANUAL

MODEL T80 UNIVERSAL TRANSMITTER



Screen Map

CAL (Calibration)	Auto	Cal 1 (Offset) using Calibration Solution				
		Cal 2 (Slope) using Calibration Solution				
	Standardize	Enter Grab Sample Determined Value				
		Enter Offset, the PV value and associated mV				
	Manual	Enter Slope, mV/pH, mV/decade, mV/ppm...				
Temp	Enter measured Temperature					
CONFIG (Configuration)	XMTR	LCD	Set Up	Temp. Format	°C or °F	
				Contrast	Adj. 0-100%	
				Back Light	Enter ON time	
				Range Lock	Choose: Auto, ppb, ppm, ppT	
			Graph	Line	Screen Duration	
				Gauge		
			Label	Bar		
				TAG ID	Enter Name	
				TAG	ON/OFF	
				POP UP	ON/OFF	
		Output	4-20 mA (1 or 2)	Range (PV or Temp.)	4 mA =	
					20 mA =	
				Cal (more)	Trim 4.00 mA	
					Trim 20.00 mA	
			Fault (more)	3.5 mA		
				22 mA		
				NONE		
			RELAY	Relay 1	Alarm	Set Point
					Timed	Period, Duration
					Fault	
		Relay 2		Alarm	Set Point	
				Timed	Period, Duration	
				Fault		
		Relay 3	Alarm	Set Point		
			Timed	Period, Duration		
		HOLD	Time out: None, 15 min, 30 min...			
			Serial	Address		
				Baud rate		
		Format				
		Password	Menu	Off/On " _ _ _ _ "		
CAL	Off/On " _ _ _ _ "					
CNFG	Off/On " _ _ _ _ "					
SIM	Off/On " _ _ _ _ "					
Sensor	Sensor 1 or 2	Type	Choose Type: pH, Cond, ORP.....			
		T COMP	Enter % Comp			
		ISO PT	Enter mV value			
	Qty of Sensors	Choose 1 sensor or 2 sensors				
	COMP	Dissociation, Interference, Percentage, OFF				
Load Default	Sensor/Transmitter	Yes/No				
DAMP	Enter Signal Dampening (# of readings to average, 0-100)					
INFO (Information)	XMTR	Configuration, Serial #, Name, Outputs				
	Sensor	Calibration logs, Serial #, Name				
SIM (Simulate)	System	Sensor 1 or 2	Fixed value			
			Ramp			
	Relays	#1 ON/OFF				
		#2 ON/OFF				
		#3 ON/OFF				
4-20 mA	4-20 mA Ch 1	Enter Value				
	4-20 mA Ch 2	Enter Value				

PREFACE

Purchasing products from Electro-Chemical Devices, Inc. provides you with the finest liquid analytical instrumentation available. If this is your first purchase from ECD, please read the entire manual before installing and commissioning your new equipment.

Manuals are accessible on the ECD website at <http://www.ecdi.com/literature/manuals.html>.

If there are any questions concerning this equipment, please contact your local ECD representative, or the factory directly at:

Electro-Chemical Devices, Inc.

1500 Kellogg Dr.

Anaheim, CA 92807 USA

Telephone: +1-714-695-0051

FAX: +1-714-695-0057

Website: www.ecdi.com






Email: sales@ecdi.com



Disposal of end-of-life Equipment

Electrical and electronic equipment are marked with this crossed-out wheeled bin symbol on the equipment or on its package must be discarded separately from other waste and correctly disposed or recycled.

SYMBOLS USED IN MANUAL

	This symbol is used to designate important information, warnings and cautions. Failure to follow this information could lead to harm to the instrument or user.
	No operator serviceable parts, service by authorized service personnel only.
	This symbol is used to designate a WARNING "Risk of Electrical Shock"
	Disconnect supply before servicing
	Equipment protected throughout by double insulation.



Read the complete manual before installing or using the equipment.

Contents of this manual are believed to be correct at the time of printing and are subject to change without notice. ECD is not responsible for damage to the instrument, poor performance of the instrument or losses resulting from such, if the problems are caused by:

- Incorrect operation by the user.
- Use of the instrument in incorrect applications.
- Use of the instrument in an inappropriate environment or incorrect utility program (power supply).
- Repair or modification of the related instrument by anyone not authorized by ECD.
- There are no operator accessible parts. Service and maintenance to be done by authorized personnel only.
- If the equipment is used in a manner not specified by the manufacturer, the protection provided by the equipment may be impaired.

© 2018 Electro-Chemical Devices, Inc. All rights reserved. No part of this manual may be used or reproduced in any form or by any means, or stored in a database or retrieval system without prior written permission from Electro-Chemical Devices, Inc. Making copies of any part of this manual for any purpose other than personal use is a violation of United States copyright laws. Document printed in the United States of America.

Table of Contents

TERMS AND CONDITIONS OF SALE.....	10
RETURN GOODS POLICY	11
UNPACKING THE INSTRUMENT	12
INSTRUCTION MANUAL REVISION.....	12
1.0 GENERAL DESCRIPTION	13
1.1 FEATURES	13
1.2 SPECIFICATIONS.....	13
1.2.1 Input specification	13
1.2.2 Input Ranges.....	13
1.2.3 Accuracy	13
1.2.4 Output Signals	14
1.2.5 Contact Relays	14
1.2.6 Display	14
1.2.7 Enclosure	14
1.2.8 Power.....	14
1.2.9 Environmental Conditions	14
1.2.10 Shipping	14
1.3 Model Codes.....	15
2.0 INSTALLATION.....	16
2.1 MOUNTING.....	16
2.2 WIRING	19
2.2.1 Wiring, power	19
2.2.2 Wiring, Sensor	20
2.2.3 Wiring, 4-20 mA Outputs.....	20
2.2.4 Wiring, Contact Relay Outputs	20
2.2.5 Wiring, Serial Output MODBUS RTU.....	20
3.0 OPERATION.....	21
3.1 KEYS	21
3.1.1 Home/Exit Key.....	21
3.1.2 Back/Hold Key.....	21
3.1.3 Selection Adjustment Keys	22
3.1.4 Alpha Numeric Entry.....	22
3.2 MENU STRUCTURE	22

3.2.1 HOLD (Output Hold)	22
3.2.2 CAL (Calibration Menu).....	22
3.2.3 CONFIG (Configuration Menu)	23
3.2.4 INFO (Information Menu)	25
3.2.5 SIM (Simulation Menu).....	25
3.2.6 Fault Screens.....	25
3.2.7 SENTINEL® Screens	26
3.2.8 Ammonium Hydra-DS.....	26
3.3 START UP GUIDE.....	27
3.3.1 Configure 4-20 mA output range.....	27
3.3.2 Configure 4-20 mA Fault Condition and Cal	27
3.3.3 Configure Alarm Relays (Relays Optional)	28
3.3.4 Exit Menus and Return to Main Display	28
3.3.5 Sensor Start Up.....	29
3.4 USER SELECTABLE OPTIONS.....	30
3.4.1 Screen Lighting	30
3.4.2 Graphical display	30
3.4.3 TAG Transmitter Name.....	30
3.4.4 SENSOR Name.....	31
3.4.5 Password Protection.....	31
4.0 CALIBRATION	32
4.0.1 AUTO Calibration description	32
4.0.2 STANDardize Calibration description	32
4.0.3 MANUAL Calibration description.....	32
4.1 pH Calibration Procedures.....	34
4.1.1 AUTO Cal using pH 4.01, 7.00, 10.00 buffers.....	34
4.1.2 AUTO Cal using other pH buffers.....	34
4.1.3 Standardize	34
4.2 ORP Calibration Procedures	35
4.2.1 Auto Cal with Quinhydrone	35
4.1.2 Standardize	35
4.3 pION Calibration Procedures.....	36
4.3.1 AUTO Cal using 1, 10, 100 ppm solutions.....	36
4.3.2 AUTO Cal using non-decimal ppm solutions.....	36
4.3.3 Standardize	36

4.4 S80/DO90 DISSOLVED OXYGEN Calibration Procedures	37
4.4.1 AUTO Cal using zero ppm solution and Air.....	38
4.4.2 Standardize	38
4.4.3 Manual Cal	38
4.5 TRITON® DO82 Dissolved Oxygen Calibration Procedures.....	39
4.5.1 AUTO Cal using zero ppm solution and Air.....	40
4.5.2 Standardize	41
4.6 TRITON® TR80, TR82 or TR86 Turbidity/Suspended Solids Sensors.....	41
4.6.1 AUTO Cal.....	42
4.6.2 Standardize	42
4.6.3 MANUAL Cal	43
4.7 Conductivity Sensors	43
4.7.1 AUTO Cal using Air and Conductivity Standard	43
4.7.2 Standardize	44
4.8 TDS Conductivity Sensors	44
4.8.1 Standardize	45
4.9 Resistivity Sensors	45
4.9.1 AUTO Cal using Air and Meg-Ohm process water	45
4.9.2 Standardize	46
4.10 Ammonium Hydra-DS.....	47
4.10.1 AUTO Cal using pH 4.01, 7.00, 10.00 buffers	47
4.10.2 Standardize pH	47
4.10.3 AUTO Cal using 10 ppm and 100 ppm Potassium Solutions	48
4.10.4 Standardize Potassium ion	48
4.10.5 AUTO Cal Using 10 ppm and 100 ppm Ammonium Solutions.....	49
4.10.6 Standardize Ammonium ion.....	49
5.0 MAINTENANCE	50
5.1 CLEANING	50
6.0 TROUBLESHOOTING	51
7.0 PARTS AND ACCESSORIES.....	52
7.1 Front Panel Control Board Exploded	52
7.2 Front Panel Control Board Exploded, with Relays.....	52
7.3 Transmitter Case, back with Cable Glands	53
7.4 Replacement Parts.....	53
7.5 Accessories	54

- 8.0 S80 SENSORS55
- 8.1 S80 Installation55
 - 8.1.1 Insertion.....55
 - 8.1.2 Immersion.....55
 - 8.1.3 Flow through55
 - 8.1.4 Valve Retractable.....56
 - 8.1.5 Flange fittings57
- 8.2 S80 Part Number Configurator57
- 8.3 TRITON® DO82 Sensors58
- 8.4 TRITON® TR Series Sensors (TR80, TR82, TR86)59
- 8.3 S80 Sensor Maintenance60
 - 8.3.1 Electrode Cartridge Installation.....60
 - 8.3.2 Electrode Cartridge Replacement60
 - 8.3.3 Electrode Cleaning.....60
 - 8.3.4 pH Electrode Cartridge Cleaning61
 - 8.3.5 ORP Electrode Cartridge Cleaning61
 - 8.3.6 plon Electrode Cartridge Cleaning.....61
 - 8.3.7 Dissolved Oxygen Cartridges62
 - 8.3.8 TRITON DO82 Dissolved Oxygen.....62
 - 8.3.9 TRITON TR86 Turbidity64
 - 8.3.10 Conductivity and Resistivity sensors64
- 8.4 S80 Sensor Specifications65
 - 8.4.1 pH electrodes.....65
 - 8.4.2 ORP Electrodes66
 - 8.4.3 Dissolved Oxygen.....66
 - 8.4.4 Ammonium Electrode.....66
 - 8.4.5 Bromide Electrode66
 - 8.4.6 Cadmium electrode66
 - 8.4.7 Calcium Electrode.....67
 - 8.4.8 Chloride Electrode67
 - 8.4.9 Cupric Electrode67
 - 8.4.10 Cyanide Electrode.....67
 - 8.4.11 Fluoride Electrode67
 - 8.4.12 Lead electrode.....68
 - 8.4.13 Potassium Electrode.....68

8.4.14 Silver Electrode	68
8.4.15 Sodium Electrode	68
8.4.16 Sulfide Electrode.....	68
8.4.17 TRITON® DO82.....	69
8.4.18 TRITON® TR80, TR82, TR86.....	69
APPENDIX	71
A. Auto Cal Buffer Tables	71
B. T80 HART Menu.....	71
D. MODBUS RTU Register Listing.....	73
03 (0x03) Read Holding Registers.....	73
06 (0x06) Write Single Register	73
Registers	74
Fault Status.....	77
Warning Status	77
Sensor Type	78
E. Resistivity Temperature Compensation	79
F. SOFTWARE HISTORY	80
G. Ammonium Hydra-DS	81

TERMS AND CONDITIONS OF SALE

1. **ACCEPTANCE.** If this writing differs in any way from the terms and conditions of Buyer's order or if this writing is construed as an acceptance or as a confirmation acting as an acceptance, then Seller's acceptance is **EXPRESSLY MADE CONDITIONAL ON BUYER'S ASSENT TO ANY TERMS AND CONDITIONS CONTAINED HEREIN THAT ARE DIFFERENT FROM OR ADDITIONAL TO THOSE CONTAINED IN BUYER'S WRITING.** Further, this writing shall be deemed notice of objection to such terms and conditions of Buyer. If this writing is construed as the offer, acceptance hereof is **EXPRESSLY LIMITED TO THE TERMS AND CONDITIONS CONTAINED HEREIN.** In any event, Buyer's acceptance of the goods shall manifest Buyer's assent to Seller's terms and conditions. No addition to or modification of these terms will be effective, unless set forth in writing and agreed to by Seller.
2. **WARRANTIES AND REMEDIES**
 - a. **Warranty.** Seller warrants to Buyer that it holds and will pass marketable title to the goods sold hereunder. Seller warrants to Buyer that the items and components manufactured by Seller will be free from defects in material and workmanship (subject, however, to tolerances and variances permitted by the trade hereunder) for a period one (1) year for non-consumable products. Consumable electrodes and sensors have a conditional warranty based shelf life and process conditions and is determined by Seller.
 - b. **Exclusion and Conditions.** Seller's obligations with respect to the express warranties and remedies contained herein are conditioned on the following: (i) Buyer's return of the non-conforming goods, if authorized by Seller; (ii) Buyer shall not assign its rights under these express warranties and any attempted assignment shall render such warranties, but not any disclaimers or limitations, void and the goods sold shall be sold **AS IS**; and (iii) all products shall be carefully inspected for damage by Buyer upon receipt, be properly calibrated for Buyer's particular use, and be used, repaired, and maintained by Buyer in accordance with the instructions set forth in Seller's product literature. Repair and maintenance by non-qualified personnel, product subjected to misuse or negligence, and/or damaged during shipment will invalidate the warranty, as will the use of non-approved consumables or spare parts. As with any other sophisticated product, it is essential, and a condition of Seller's warranty, that all personnel using the product be fully acquainted with its use, capabilities and limitations as set forth in the applicable product literature.
3. **DISCLAIMER OF IMPLIED WARRANTIES.** Seller gives no warranties except those expressly contained herein. Seller **disclaims** all other warranties implied by law usage of the trade, course of dealing or course of performance including, but not limited to, **the Implied warranties of MERCHANTABILITY and fitness for a particular purpose.**
4. **LIMITATIONS OF LIABILITY.** The following limitations of Seller's liability are acknowledged by the parties to be fair and reasonable and shall apply to any act or omission hereunder, and to any breach of this contract of which these terms and conditions form a part:
 - a. **Disclaimer of Damage.** In no event shall Seller be liable for special, indirect, consequential or incidental damages whether arising under contract, warranty, tort, strict liability or any other theory of liability. Such damages include but are not limited to loss of profits, loss of use of goods, damage to property, and claims of third parties.
 - b. **Suitability.** Buyer acknowledges that it alone has determined the intended purpose and suitability of the goods sold hereunder. It is expressly agreed by the parties that any technical or other advice given by the Seller with respect to the use of the goods or services is given without charge and at Buyer's risk; therefore Seller assumes no obligation or liability for the advice given or results obtained.
 - c. **Notice and Time of Claims.**
 - i. Buyer agrees to check and inspect all products against shipping papers and for damage or shortage upon receipt of goods at destination.
 - ii. Every claim for shortage, damage in transit, or other cause visible upon inspection shall be deemed waived by the Buyer, or the Buyer's customer in the case of resale, unless delivered in writing to Seller by Buyer thirty (30) days from the tender of delivery of the goods to Buyer, provided, however, that claims for shortage must be made within seven (7) days of receipt.
 - iii. The parties expressly waive the statute of limitations and agree that any legal proceeding for any breach of this contract shall be waived unless filed within one (1) year after the accrual of the cause of action thereof.
5. **FORCE MAJEURE.** Seller shall not be liable for any delay in delivery, or failure to deliver, due to any cause beyond the Seller's control including but not limited to fires, floods, or other forces of the elements; strikes, or other labor disputes; accidents to machinery; acts of sabotage; riots; precedence or priorities granted at the request or for the benefit, directly or indirectly of the federal or any state government or any subdivision or agency thereof; delay in transportation or lack of transportation facilities; restrictions imposed by federal, state or other governmental legislation or rules or regulations thereof. If Seller, in its sole discretion, determines that Seller's performance hereunder would result in a loss to Seller's on this sale as computed under Seller's normal accounting procedures because of causes beyond Seller's control, then the Seller may terminate this agreement in whole or in part without liability for any delay in the delivery of, or failure to deliver, the goods sold hereunder
6. **TAXES AND OTHER CHARGES.** The Buyer will pay, or reimburse Seller if it pays, any and all taxes or tariffs or any other similar charges imposed upon this contract, the goods covered hereby or the delivery or use or resale thereof.
7. **FREIGHT CHARGES.** If the sale hereunder is other than F.O.B. Seller's facility, this acknowledgement is based upon the freight charges now in effect. In the event of an increase or decrease in applicable freight charges before the goods are shipped, such charge in freight will be for the Buyer's account.
8. **PRICES AND DELIVERY.** Prices quoted herein are F.O.B. shipping point. Deliveries specified are only our best estimate and are subject to change. This quotation is based upon freight charges now in effect. Buyer will be invoiced at the freight charge prevailing at the date of shipment. Prices are firm for orders meeting Seller's normal shipping schedules. If shipments are held or postponed for any reason other than Seller's fault, and a price increase becomes effective during the period of such hold or postponement, the increase will apply to all shipments that are held or postponed thirty (30) days or more from the effective date of the increase.
9. **PAYMENTS.** If in the judgment of Seller the financial condition of Buyer at any time prior to shipment does not justify the terms of payment specified, Seller may cancel the order, withhold shipment, and/or require full or partial payment in advance. If payment is not made when due, Seller may suspend all future delivery or other performance with respect to Buyer without liability or penalty and, in addition to all other sums payable hereunder, Buyer shall pay to Seller (i) the reasonable costs and expenses incurred by Seller in connection with all actions taken to enforce collection or to preserve and protect Seller's rights hereunder, whether by legal proceedings or otherwise, including without limitation reasonable attorneys' fees, court costs and other expenses and (ii) interest on all amounts unpaid after 30 days charged at the monthly rate of 1-1/2% or the highest rate permitted by law, whichever is lower.
10. **CANCELLATION OR ALTERATION.** Buyer may not alter or cancel any order without Seller's written consent. For any order altered or cancelled with Seller's consent, Buyer must pay for all expenses and labor incurred up to the time of Seller's consent, plus a reasonable percentage for profit. Any order delayed or deferred by Buyer will be subject to price escalation for increased costs of production, and any other expenses caused by the delay. Material on such orders will be stored at Buyer's risk. Seller reserves the right to invoice Buyer and require payment before shipment of any delayed or deferred order.
11. **TITLE AND RISK OF LOSS.** Title and risk of loss shall pass to buyer at Anaheim, California, unless otherwise specified in the contract. If delivery is made by common carrier, risk of loss shall pass upon delivery to the carrier. Claims for loss or damage in transit must be made by Buyer to the carrier. Seller accepts no responsibility for loss or damage to product in transit.
12. **PATENT OR TRADEMARK INFRINGEMENT.** If the goods sold hereunder are to be prepared for manufacture according to Buyers specification, Buyer shall indemnify Seller against any claim or liability for patent, trademark, service mark or trade name infringement on account of preparation, manufacture and/or sale.
13. **NON-WAIVER.** If Government Contract Regulations require the addition, deletion, or modification of these terms and conditions upon prior notification to Seller and Seller's written acceptance thereof, such changes shall become a part of these terms and conditions. Seller shall not be bound by any Government Contract Regulations applicable to Buyer's contracts with the U.S. Government unless Buyer has expressly acknowledged, on the face of this document, the applicability of such Regulations to the transaction between Buyer and Seller contemplated herein. Absent such acknowledgement, Seller is making the assumption in issuing this document that no such Regulations apply.

14. **JURISDICTION.** All such disputes shall be resolved in a court of competent jurisdiction in Orange County, California. Buyer hereby consents to the jurisdiction of the State and Federal Courts sitting in Orange County. Notwithstanding the above, should either party contest the jurisdiction of such courts, the other party may institute its suit in any court of competent jurisdiction.
15. **APPLICABLE LAW.** All questions arising hereunder or in connection with the quotations or any order submitted in connection therewith and/or the performance of the parties hereunder shall be interpreted and resolved in accordance with the laws of the state of California without regard to its conflict of law provisions and excluding the United Nations Convention on the International Sale of Goods.

RETURN GOODS POLICY

All requests for returned goods must be initiated through our Customer Service Department. Please call our phone number (714) 695-0051 with the specifics of your request. The following conditions must be satisfied for consideration of applicable credit for the return of products purchased from Electro-Chemical Devices:

- 1) The item is unused and in the original package.
- 2) The item was shipped directly from Electro-Chemical Devices.
- 3) The item has not been damaged in shipment to Electro-Chemical Devices.
- 4) Items containing date-sensitive parts such as electrodes, must be returned within 1 month of the invoiced date.
- 5) Items without date-sensitive parts must be returned within 3 months of the invoiced date.

A Return Merchandize Authorization Number must be obtained from Customer Service and be provided on all paperwork and packaging. To obtain a Return Merchandize Authorization Number, please provide the reason for return, the date of purchase, your original purchase order number, and either our order number or our invoice number. The issuance of a Return Merchandize Authorization Number is a verbal approval for return only and does not guarantee credit or allowance. Returned goods must be received within 30 days of the issuance date of the Return Merchandize Authorization Number or it will become null and void.

Necessary physical and mechanical inspection is completed upon receipt of the item. Applicable credit or equivalent allowance is determined after inspection of the returned item. If all of the above conditions are met, and the item has been approved to return to our stock, a restocking charge of 25% of the purchase price is deducted from the applicable credit.

UNPACKING THE INSTRUMENT

Your Electro-Chemical Devices instrument has been carefully packaged to protect it from damage during shipment and dry storage. Upon receipt please follow the procedure outlined below.

1. Before unpacking, inspect the condition of the shipping container to verify proper handling by the carrier. If damage is noted, save the shipping container as proof of mishandling for the carrier.
2. Check the contents of the shipping container with the items and quantities shown on the packing list. Immediately report any discrepancies to ECD.
3. Save the original packing material until you are satisfied with the contents. In the event the product(s) must be returned to ECD, the packing material will allow you to properly ship it to ECD.
4. Familiarize yourself with the instrument before installation, and follow proper installation and wiring procedures.



WARNING Electrical installation must be in accordance with the National Electrical Code (ANSI/NFPA-70), Canadian Electrical Code and/or any other applicable national or local codes.

Installation and wiring

Failure to follow the proper instructions may cause damage to this instrument and warranty invalidation.

Use only qualified personnel to install, operate and maintain the product.

The Model T80 transmitter should only be used with equipment that meets the relevant IEC, American or Canadian standards. ECD accepts no responsibility for the misuse of this unit.

Basic Parts List

1. Model T80 Transmitter
2. Mounting Hardware
3. Instruction Manual

INSTRUCTION MANUAL REVISION

<u>Revision</u>	<u>Date</u>	<u>Remarks</u>
A	07/12	Initial release
B	03/13	Added Sensors and Conductivity Data
C	03/13	Updated Symbols
D	07/13	MODBUS Update
E	07/13	Turbidity, Conductivity, Cal Menu
F	05/14	Two Channels, MODBUS Update,
G	07/15	Resistivity Calibrations added
H	08/15	S80 Table Corrected
I	09/15	Icons Deleted
K	12/15	New Location
L	05/16	Salinity added
M	06/17	Update Turbidity, DO, plon
N	03/18	Ammonium Hydra-DS
O	05/18	MODBUS Update

1.0 GENERAL DESCRIPTION

The ECD Model T80 transmitter is a single or dual channel, intelligent, multi-parameter transmitter designed for the online continuous measurement of pH, ORP, pION, dissolved oxygen, conductivity, resistivity and turbidity in a general purpose industrial environment. The Model T80 transmitter digitally communicates with any ECD S80 digital sensor, automatically configuring the transmitter menus and display screens to the measured parameter.



The Model T80 transmitter can be loop powered, 24 VDC powered or 100-240 VAC line powered. The standard configuration has a 4-20 mA output and a RS485 serial communication port with MODBUS® RTU output. A HART® communication version (single channel version only) is also available. Alarm relays are optionally available on either line powered transmitter.

1.1 FEATURES

- Multi-Parameter, pH, ORP, Specific Ion, Dissolved Oxygen, Conductivity, Resistivity
- Simple, user friendly menu structure
- Noise free digital communication with sensors
- Reads and writes calibration data to sensor
- Dual Channel option has interactive channels, pH compensated readings, interfering ion corrections...
- Non-Isolated 4-20 mA output and MODBUS® RTU standard, optional HART®

1.2 SPECIFICATIONS

1.2.1 INPUT SPECIFICATION

Digital protocol, all ECD S80 sensors

Optional analog to digital converter, 5 inputs [mV+, mV-, solution ground, temp + temp - (100 K-ohm)]

1.2.2 INPUT RANGES

pH	-1.00 - 15.00 pH
ORP	-1500 - +1500 mV
pION	000.1 - 999.9, Auto Ranging: ppb ↔ ppm ↔ ppT (thousand)
Dissolved Oxygen	000.1 - 999.9, Auto Ranging: ppb ↔ 20.00 ppm, % SAT, mg/L
Conductivity	0.000 - 2.000, Auto Ranging: μS ↔ mS ↔ S
	TDS 0.00 - 9999 ppm
Resistivity	0.00 - 50.00 MΩ
Turbidity	0 - 4000 NTU/FNU, 0 – 99999 ppm, mg/l, 0-100% %solids
Temperature	100 K-ohm TC, -30°C - 140°C

1.2.3 ACCURACY

pH	0.02 pH
ORP	± 1 mV
pION	Specific to electrode type
Dissolved Oxygen	2% of range
Conductivity	2% of range

Resistivity	2% of range
Turbidity	2% of reading
Temperature	± 0.3°C

1.2.4 OUTPUT SIGNALS

Non-isolated 4-20 mA output (standard, one per Channel), Fault Condition: 3.5 mA, 22 mA or none
 Modbus RTU (standard)
 HART® (optional)

1.2.5 CONTACT RELAYS

(Optional) Three (3) SPDT, 1 form C, 250 VAC, 10 Amp resistive maximum, relays, user configurable as Hi/Lo alarms with expiration timer, Periodic Timers or Fault alarms

1.2.6 DISPLAY

128 x 64 pixels (2.75" x 1.5") LCD, Black on Grey background on loop powered instruments, Blue on White background with LED backlight on 100-250 VAC and 24 VDC powered instruments, English or icon based menus, numeric and graphical displays

1.2.7 ENCLOSURE

Beige Polycarbonate, IP65, weatherproof, ½ DIN, (L x W x D) 5.7" X 5.7" X 3.5" (14.4cm X 14.4cm X 9.0cm)

1.2.8 POWER

Code -0 Loop powered, 24 VDC 600 Ω maximum load (18-36VDC @ 0.3W Maximum)
 Code -1 24 VDC (18-36 VDC @ 4W Maximum)
 Code -2 100-240 VAC, 50/60 Hz, 4W, protected with 250V, 1A, Slow Blow fuse

1.2.9 ENVIRONMENTAL CONDITIONS

Outdoor use (IP65)
 Ambient Temperature -20°C - 70°C (24 VDC Models)
 -20°C - 60°C (100-240 VAC Models)
 Storage Temperature -30°C - 85°C
 Relative Humidity 0 – 80%, up to 31°C
 Decreasing linearly to 50% RH a 40°C
 Altitude Up to 2000 m (6500 ft)
 Mains Supply Voltage Fluctuations up to ±10% of the nominal voltage
 Transient over voltages: CAT II
 Pollution Degree: 2

1.2.10 SHIPPING

Size 8" x 8" x 5" (20.5 cm x 20.5 cm x 12.7 cm)
 Weight 1.6 lbs. (0.75 kg)

1.3 MODEL CODES

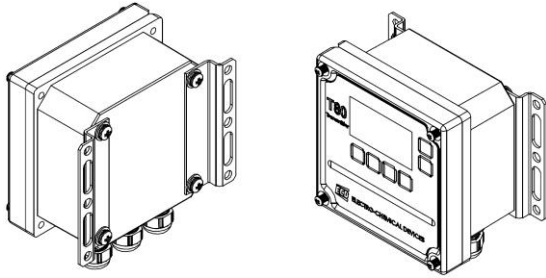
Model T80-							
1 st Channel	1 (S80) S80 Digital Sensor, pH, ORP, pION, DO, DO90 ppb DO, Conductivity, Resistivity, TR Series, DO82						
	3 Internal Preamp, Digital to pH Steam Sterilizable Products						
	4 Internal Preamp, Digital to SGTC Conductivity/Resistivity (CSX2 or 2 electrode contacting)						
	2 nd Channel	0 No Second Channel					
		1 (S80) S80 Digital Sensor, pH, ORP, pION, DO, Conductivity, Resistivity, DO82, TR Series					
		Power Supply	-0 Loop Powered Transmitter				
			-1 24 VDC Powered Transmitter				
			-2 100-240 VAC powered Transmitter				
		Relay Option	0 No Relays				
			1 (3) form 1C 250 V 3A relays				
		Outputs	0 4-20 mA output and MODBUS				
			1 HART®				
			2 2 x 4-20 mA & MODBUS				
3 Hart (Channel one only) & (2x) 4-20 mA							
Mounting Hardware		00 No Mounting					
		01 Universal					
	02 Panel Mount						
	03 Handrail Mount						
	04 Sunshield Pole						
05 Sunshield Rail							
Model T80-	1	1	-2	1	2	01	

Example above shows part# T80-11-212-01, a two channel T80 transmitter for use with two S80 sensors, 110/220 VAC powered with two 4-20 mA outputs and MODBUS RTU and a universal mounting bracket.

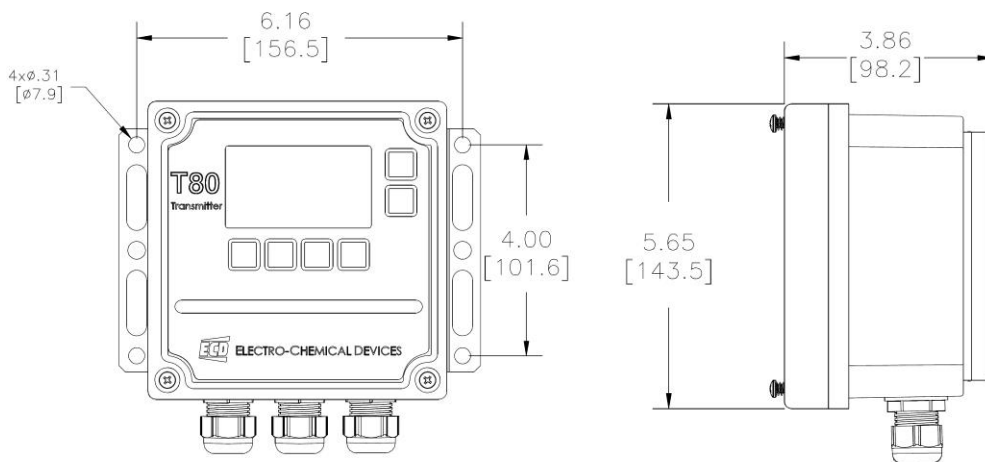
2.0 INSTALLATION

2.1 MOUNTING

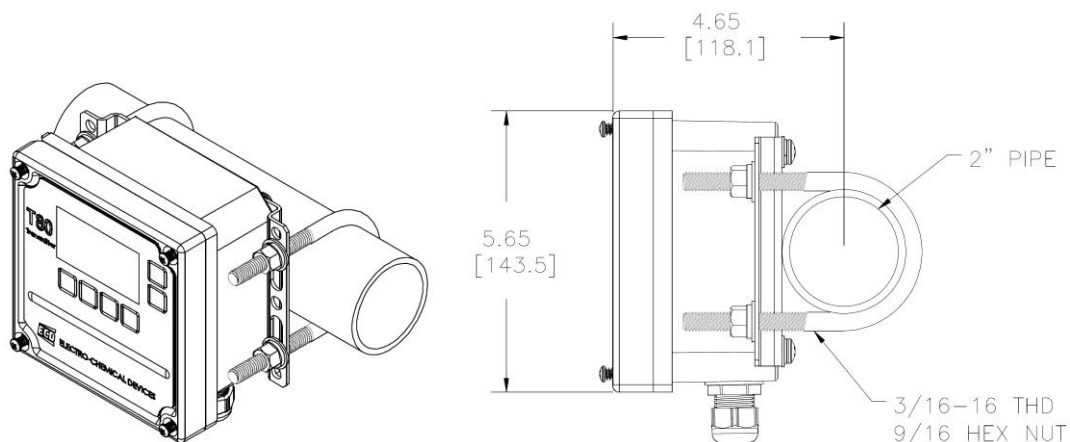
Mount the T80 in a location where there is easy access to the analyzer and sensors. Install the system in an area where vibrations, electromagnetic and radio frequency interference are minimized or absent. Do not mount in direct sunlight or areas of extreme heat (temperature > 120°F). The IP65 T80 is suitable for outdoor use but it is best to mount it with a protective cover or sunshield to prevent discoloring over the years.



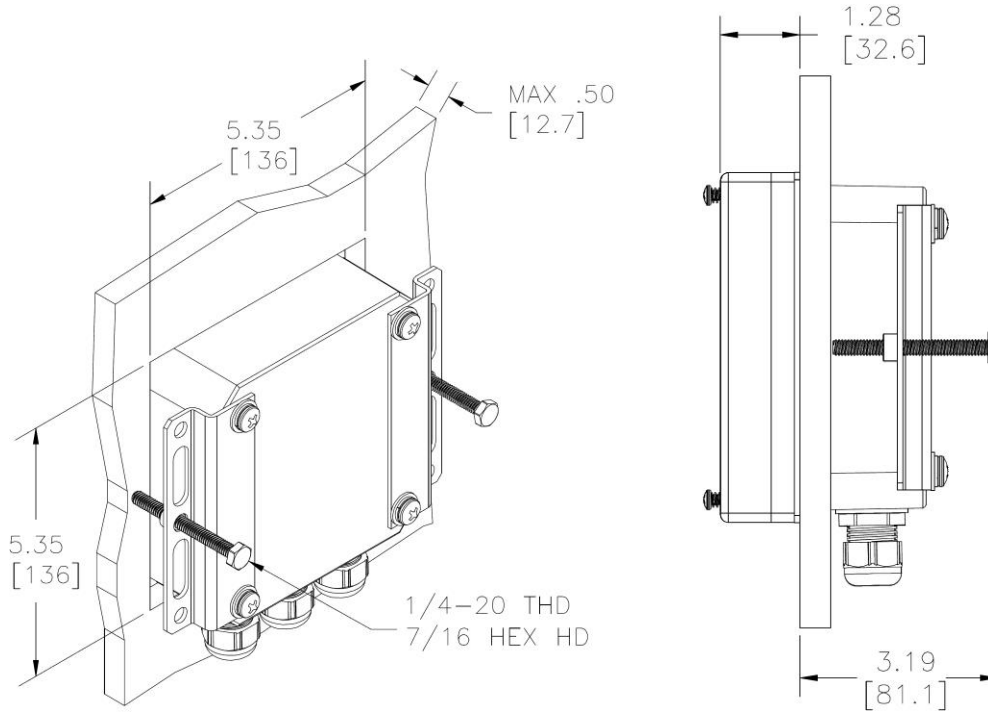
Universal Mounting Brackets



Rail Mounting



Panel Mounting



Cut Out: 5.35" x 5.35" (13.6 cm x 13.6cm)

2.2 WIRING

Electrical wiring should only be conducted by qualified personnel. See the T80 wiring diagram in Figure 2.2.X

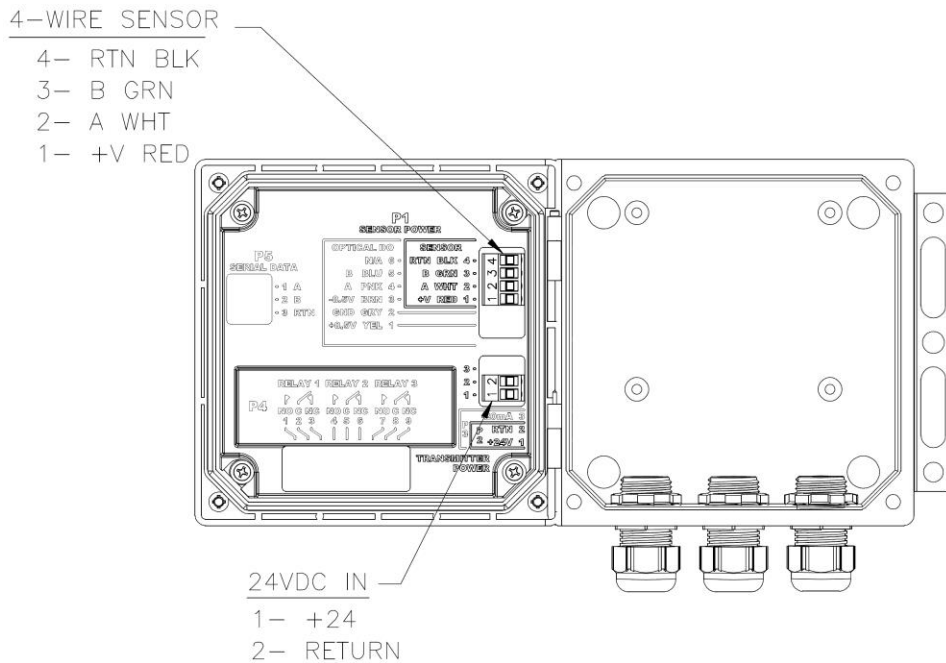


Figure 2.2.1 Loop Powered Transmitter (S80's only – not for DO82, TR80, TR82, TR86)

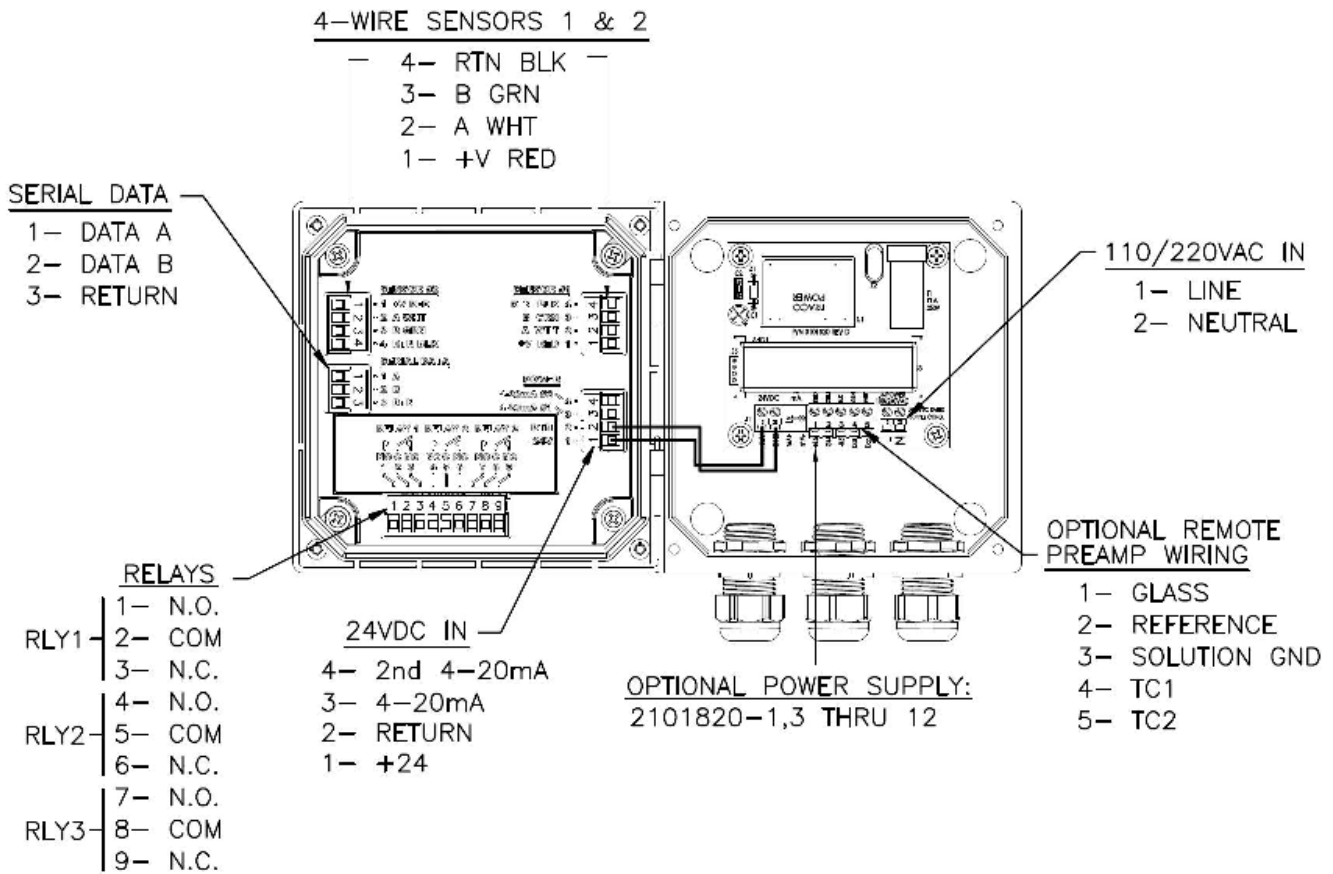


Figure 2.2.2 4-Wire Transmitter, 24VDC or /110/220 VAC, MODBUS, Relays/Optional Digital Preamp

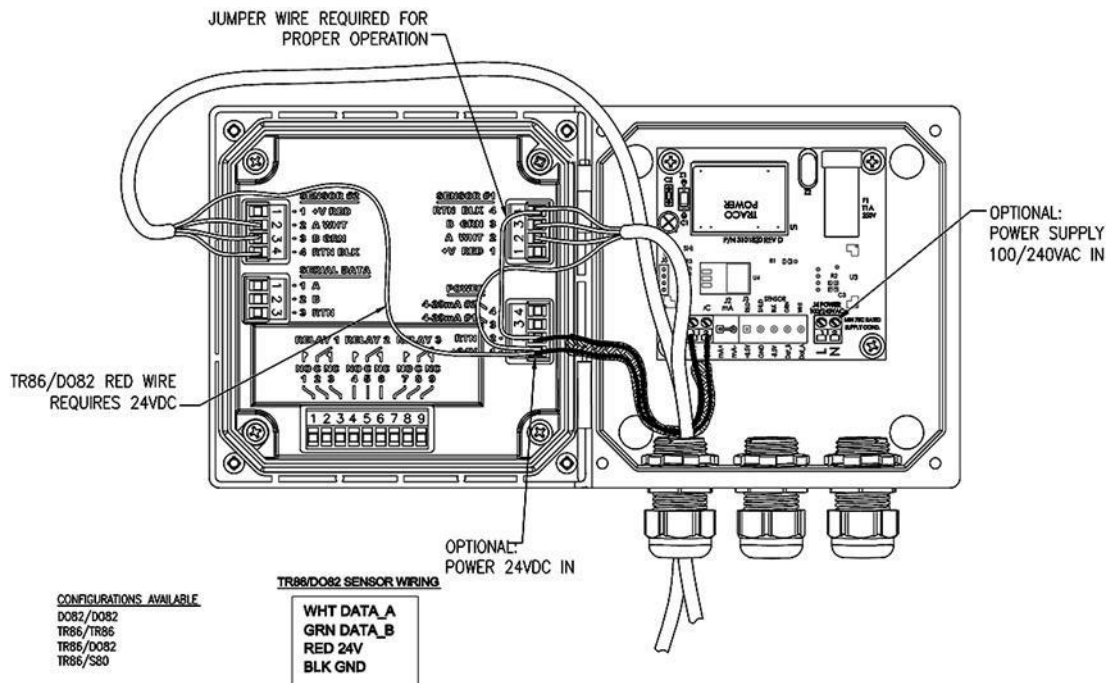





Figure 2.2.3 4-Wire Transmitter, Model TR80, TR86, TR80, TR82 turbidity or Model DO82 Dissolved Oxygen sensors

	Warning: RISK OF ELECTRICAL SHOCK
	Disconnect Power before opening instrument.
	WARNING Electrical installation must be in accordance with the National Electrical Code (ANSI/NFPA-70), Canadian Electrical Code and/or any other applicable national or local codes.

2.2.1 WIRING, POWER

ECD recommends using a thermoplastic, outdoor sunlight resistant jacketed cable, wet location rated and ½” flexible conduit. The power should be hard wired with a switch or breaker to disconnect the analyzer from the main power supply. Install the switch or breaker near the analyzer and label it as the Power Switch for the analyzer.

Loop Powered (2 wire configuration)

Attach the 24VDC signal cable to terminals #1 and #2 as shown in Figure 2.2.1 and on the diagram inside of the T80 cover. Feed the cable through the gland fitting on the right hand side of the T80. Tighten the cable gland to provide a good seal to the cable. The instrument can be powered up at this point with no harm to the analyzer but it is best to wait until the sensor is installed.

24VDC (4 wire configuration)

Attach the 24VDC power cable to terminals #1 and #2 as shown in Figure 2.2.2 and on the diagram inside of the T80 cover. Attach the 4-20 mA1 cable to terminals #3 (out) and #2 (return) single channel unit and attach the 4-20 mA2 cable to terminals #4 (out) and #2 (return) for a two channel instrument. Feed the cables through the gland fitting on the right hand side of the T80. Tighten the cable gland to provide a good seal to the cable. The instrument can be powered up at this point with no harm to the analyzer but it is best to wait until the sensor is installed.

110/220 VAC (4 wire configuration)

Attach power cable as shown in Figure 2.2.2 or as on the diagram inside of the T80 cover. Feed the cable through the gland fitting on the right hand side of the T80. Tighten the cable gland to provide a good seal to the cable. The instrument can be powered up at this point with no harm to the analyzer but it is best to wait until the sensor is installed.

2.2.2 WIRING, SENSOR

Attach the sensor wires as described on the diagram inside the T80 cover. Feed the sensor cable through the gland fitting on the left hand side of the T80. Do not use the same gland fitting for the AC power or Alarm/Relays. The green terminal strip connectors are detachable from the circuit boards. Remove the connector by pulling straight back from the circuit board.

2.2.3 WIRING, 4-20 MA OUTPUTS

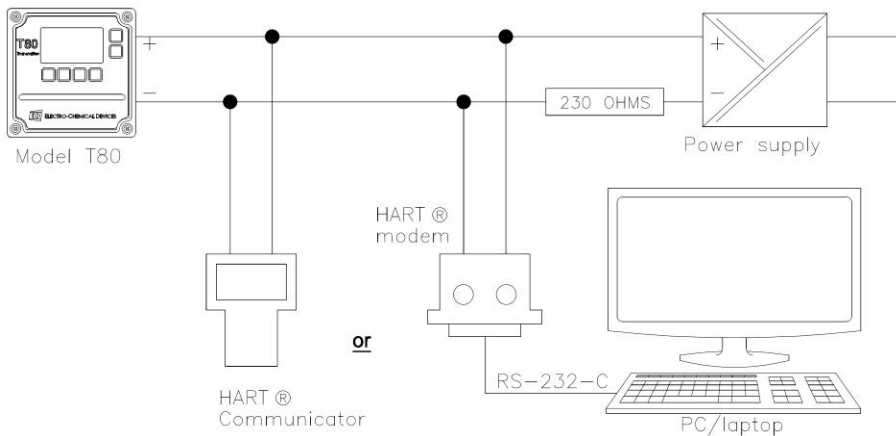
Loop Powered Instruments:

Connect the 4-20 mA cable to terminals #1 (+24V) and #2 (-24V), Model T80-XX-0 X-XX.

24 VDC or 110/220 VAC powered instruments:

For instruments powered with 24VDC or the internal power supply, Model T80-XX-1X-XX (24VDC) and T80-XX-2X-XX (110/220 VAC), connect the 4-20 mA cable(s) to terminals #3 (out) for channel 1 and #2 (return) and to terminals #4 (out) for channel 2 and #2 (return).

Transmitters with HART® Communication can be wired as shown below. See HART® Communication menu in Appendix 9.2:



2.2.4 WIRING, CONTACT RELAY OUTPUTS

The standard configuration has three SPDT 230V 5 A relays that can be wired either **normally open (NO)** or **normally closed (NC)**. The default configuration is set to use the relays as normally open.

2.2.5 WIRING, SERIAL OUTPUT MODBUS RTU

Attach the sensor wires as shown in Figure 2.2.2 or as described on the diagram inside the T80 cover. Feed the sensor cable through the gland fitting on the left hand side of the T80. Do not use the same gland fitting for the AC power or Alarm/Relays. See MODBUS command register in [Appendix D](#).

3.0 OPERATION

The ECD Model T80 transmitter is an intelligent, single or dual channel multi-parameter transmitter designed for the online continuous measurement of pH, ORP, pION, conductivity, resistivity or Dissolved Oxygen in a general purpose industrial environment. The Model T80 transmitter digitally communicates with any ECD S80 digital sensor. The measurement identity is contained in the sensor's memory. When an S80 sensor is connected to the transmitter it automatically configures the transmitter's menus and display screens to the measured parameter.



3.1 KEYS

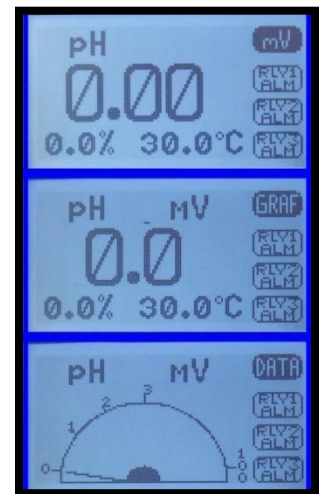
The functions associated with each key are displayed on the screen, above the key for the Selection Adjustment Keys and to the left of the key for the HOME and BACK keys. **Press any Selection Adjustment key twice within one second to enter the HOME Menu Screen.**

3.1.1 HOME/EXIT KEY

The **HOME key** performs two functions, it selects which Home Screen is displayed and it returns the active screen to the HOME Menu Screen from anywhere inside the menu structure.

Three Display screens are available:

1. **DATA SCREEN:** Displays the measurement type, numerical value, engineering Units, % Output of the 4-20 mA channel and temperature.
2. **mV SCREEN:** Displays the measurement type, the sensor's raw millivolt Value, % Output of the 4-20 mA channel and temperature.
3. **GRAF SCREEN:** Displays a Graphical representation of the 4-20 mA channel % Output, the measurement type, the engineering units, and temperature. Only one of the three graphical display styles is available through the HOME key, either the Bar, Gauge or Line display. Choose which style will be displayed in the Graph Menu. (pathway to Graph Menu: CONFIG → XMTR → LCD → Graph menu)



Each of the above screens also displays the condition of the optional Alarm Relays, black if energized and white if de-energized.

The HOME key changes to the **EXIT key** in the HOME Menu Screen, pressing EXIT prompts the user to "Save Changes" YES/NO when exiting the HOME Menu. YES applies any changes made in the menus, NO exits the HOME Menu without applying any changes made in the menus.



3.1.2 BACK/HOLD KEY

The **BACK key** changes the screen to the previously displayed screen when inside a menu, it moves BACK one screen. On a dual channel transmitter it toggles between the PV1, PV2 and Dual Channel Screens. The **HOLD key** toggles the output HOLD function ON/OFF in the MENU HOME screen.

3.1.3 SELECTION ADJUSTMENT KEYS

The (4) Selection/Adjustment keys allow navigation and numerical adjustments to be made in the MENUS. **To enter the HOME Menu screen press any of the Selection/Adjustment keys twice within one second.** The various Menu choices and adjustment tools are displayed above the buttons once inside the MENU.

3.1.4 ALPHA NUMERIC ENTRY

The **LABEL** and **PASSWORD** (Caps and Numbers only) Menus allow alphanumeric entry. Entry is accomplished by scrolling through the alphanumeric list with the ▲ (forward) and ▼ (backwards) arrows to the character of choice and then moving to the NEXT digit. Pressing and holding the ▲ or ▼ keys will initiate two speed auto scrolling. The character set is sequentially listed below. The first character in the set is an empty space.

! " # \$ % & ' () * + , - . / 0 1 2 3 4 5 6 7 8 9 : ; < = > ? @ A B C D E F G H I J K L M N O P Q R S T U V W X Y Z [\] ^ _ ` a b c d e f g h i j k l m n o p q r s t u v w x y z { | } → ←

3.2 MENU STRUCTURE

Double tap any Selection/Adjustment key to enter the HOME Menu Screen. Five menu choices will appear, **CAL, CONFIG, INFO, SIM and HOLD**. Each of the Menus is detailed below.

3.2.1 HOLD (OUTPUT HOLD)

Pressing the **HOLD Key** activates the HOLD function, HOLD is ON, displayed.

- ❖ Freezes the 4-20 mA output at the last value prior to activation
- ❖ Freezes optional Alarm Relays in the current state
- ❖ While in the HOLD mode the % Output display toggles between the last value and HOLD



Pressing HOLD again turns the hold function off, Hold is OFF, displayed. The HOLD function remains ON until it is turned OFF. (See Time Out in CONFIG>XMTR>OUTPUT>HOLD)

3.2.2 CAL (CALIBRATION MENU)

Four options are available, **AUTO, STAND, MANUAL and TEMP**. On dual channel instruments choose Sensor 1 or Sensor 2 when prompted.

The first screen asks, "Is this a New Sensor, YES / NO". If YES the calibration history from the previous sensor is cleared from memory and a new register is started, if NO then the calibration is written to the memory stack, (3) sets of data are stored.



- ❖ **AUTO** is a two point calibration. The calibration proceeds in two steps, AutoCal 1 is an offset calibration and AutoCal 2 is a slope calibration. Auto Cal provides automatic solution recognition of the calibration solutions used for each measurement in accordance with the following list:

1. pH Calibration Buffers (US Standard), pH 4.01, pH 7.00 and pH 10.00 (see [Appendix A](#))
2. ORP Calibration Solutions: Quinhydrone saturated: pH 4.01= +89 mV, pH 7.00= +266 mV
3. plon Calibration Solutions: 1.00, 10.00, 100.0 ppb, ppm, ppt (thousand)
4. Dissolved Oxygen: Zero ppm (Sodium sulfite, Na₂SO₃ in water), Air saturated water, 8.25 ppm



Any two solutions can be used for AUTO calibration however if solutions other than those listed above are used for calibration then the calibration values must be entered manually.

- ❖ **STAND** is standardization, a single point calibration. Standardizations are typically used to adjust the process reading to agree with a laboratory determined “grab sample” reading.
- ❖ **MANUAL** is a data entry screen. Manual calibration allows the user to enter a concentration with the corresponding mV value and a slope for an electrode. Laboratory generated calibration data for an electrode can be input to a remote analyzer where calibration is difficult or impractical.
- ❖ **TEMP** allows the displayed temperature to be trimmed to agree with actual process temperature.

3.2.3 CONFIG (CONFIGURATION MENU)

Four options are available in the Configure Menu, **XMTR**, **SENSOR**, **LOAD DEFAULT** and **Dampen**.



- ❖ **XMTR** enters the Transmitter Configuration menu.
 - **LCD** access the Display Configuration Menu
 - **SETUP** adjust screen lighting characteristics
 - **Temp.** Choose °C or °F
 - **CONT** adjust Contrast
 - **BACK LIGHT** adjust Backlight Timeout, from always ON to OFF after 10 minutes
 - **GRAPH** provides the choice of which Graph style is displayed on the Home screen.
 - **LINE** , Moving average, vertical scale set to 0-100% of the 4-20 mA output and user defined time scale
 - **GAUGE**, Current reading 0-100% of 4-20 mA range
 - **BAR**, Current reading 0-100% of 4-20 mA range
 - **LABELS**
 - **TAG**, Enter up to 2 lines x 16 characters, example, Name, tag #... Displayed in INFO screen
 - **TAG ON**, Turn TAG ON/OFF, adds TAG to Main Display Sequence, DATA → mV → GRAF → TAG → DATA
 - **POP UP**, Turns ON/OFF, the double tap HOME Screen pop up memo
 - **SENSOR**, Enter up to 2 lines x 16 characters
 - **OUTPUT** access the Output Configuration Menu
 - **4-20 mA** configure 4-20 mA output (PV or Temp or More)
 - **RANGE** Enter 4 mA value and 20 mA value
 - **CAL** Trim 4.00 mA output and 20.00 mA output
 - **FAULT** Choose fault condition 3.5 mA, 22 mA, None
 - **Optional 2nd 4-20 mA**, same as above
 - **RELAY**
 - **RLY1,2,3** Choose relay type:
 - **Alarm**, enter the Set point ON, Set Point OFF, Expiration time, Delay ON and Delay OFF



times and the State, **energize**: changes state from de-energized to energized on alarm.

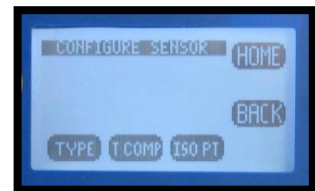
- **Timed**, Enter Period, Duration times and Hold On/Off
- **Fault**, No input required, relay condition changes from energize to de-energize.
- **Disable**, Inactivates relay and removes the relay 1 button from the HOME Screen display.
- **HOLD**, Freezes outputs at current value and locks relays in their current state.
 - **Hold Timeout**, Removes HOLD after a certain period of time, default setting: No Timeout, selections include 15 minutes, ½ hour, 1 hour
- **SERIAL MODBUS** configure serial output,
 - **ADDRESS**, enter address: 001 to 247
 - **BAUD**, Choose baud rate, default 9600
 - **FORMAT**, set serial data format, default value: 8N1, 8 bit, no parity bit, 1 stop bit
- **SERIAL HART** configure output,
 - **ADDRESS**, enter address: 01-63
 - **BAUD**, default 1200, no adjustment available
 - **FORMAT**, default value: 8O1, 8 bit, Odd parity bit, 1 stop bit, no adjustment available
- **PASSWD** Enter 4 character password to protect access to MENU Level, CAL Menu, CONFIG Menu and SIM Menu (simulate). Each level can be turned ON or OFF and can have a unique password.



- **MENU** ON/OFF ----- Locks Main Menu
- **CAL** ON/OFF ----- Locks CAL and CONFIG
- **CONFIG** ON/OFF ----- Locks CONFIG
- **SIM** ON/OFF ----- Locks SIM and CONFIG

❖ **SENSOR** enters the sensor configuration menu.

- **Choose SENSOR 1 or 2**
 - **TYPE**, Allows T80 transmitter to configure the S80 sensor. For use only when switching the measurement electrode type in an S80 sensor, i.e. for a pH electrode to a pION electrode. Select Sensor Type: pH, ORP, DO₂, NH₃, NH₄⁺, Br⁻, Ca⁺⁺, Cd⁺⁺, Cl⁻, Conductivity, Resistivity, Cu⁺⁺, CN⁻, F⁻, NO₃⁻, K⁺, Pb⁺⁺, Ag⁺, Na⁺, S⁻
 - **T COMP**, Enter % temperature compensation per degree: pH, pION 0.33%, ORP 0.00%, DO₂ 4%, Conductivity 2%, Resistivity -5.4% (see Table Appendix D)
 - **ISO PT**, Enter Iso Potential value in mV. The Iso Potential is the point where changes in the temperature do not cause changes to the signal.
- **COMP** Dual Channel Only, Sets compensation type: **Dissociation** (pKa), NH₄⁺, Free Chlorine, HF, S⁻², **Interference**, X ppm Sensor 1 = 1 ppm Sensor 2, **Percentage** % change per pH.

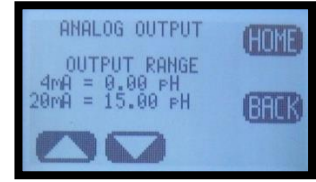


- Qty of SENSORS, Choose 1 or 2
- ❖ **Load Default** resets all Menus to factory default configuration.

3.2.4 INFO (INFORMATION MENU)

The Information Menu provides two choices,

- ❖ **Transmitter Screen**, details the Name, Power type, Serial #, Firmware version and the output configuration(s).
- ❖ **Sensor Screen**, details the Name, Part #, Serial # and three sets of Calibration data.



3.2.5 SIM (SIMULATION MENU)

The Simulation menu allows the Input or Output signals to be simulated.

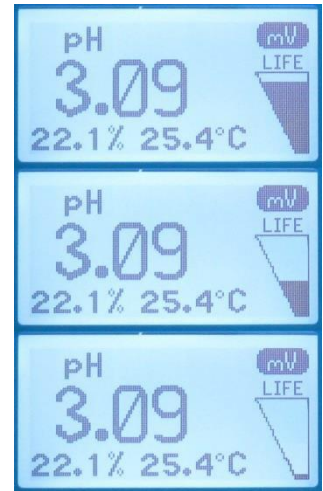
- ❖ **SYSTEM** allows the Input to be simulated. Two choices are available, FIXED is a fixed value, RAMP varies the signal across the 4-20 mA range, from the lowest value to the highest value and back, activating and deactivating relays if present. The RAMP has two adjustments the Ramp period, 30 seconds to 2 minutes and Duration; 1 cycle, 5, 10, 20, 30 minutes.
- ❖ **RELAYS** allows individual relays, #1, #2, and #3 to be activated and deactivated
- ❖ **4-20 mA** allows the output to be simulated from 4.00 mA to 20.00 mA.

3.2.6 FAULT SCREENS

Fault	Definition	Recommendation
Memory Error	AN ERROR WAS FOUND WITH THE MEMORY OF THE MICROCONTROLLER	RETURN TO FACTORY FOR SERVICE
Input Voltage OOT	POWER IS OUT OF TOLERANCE	CHECK WIRING TO THE TRANSMITTER
+12V OOT	ONBOARD 12V IS OUT OF TOLERANCE	RETURN TO FACTORY FOR SERVICE
+3.3V OOT	ONBOARD 3.3V IS OUT OF TOLERANCE	RETURN TO FACTORY FOR SERVICE
Loss of Comm	COMMUNICATION WITH THE SENSOR WAS LOST	CHECK WIRING TO THE SENSOR
No Sensor	NO SENSOR WAS FOUND AT START-UP	CHECK WIRING TO THE SENSOR
Cal Failed	SENSOR CALIBRATION FAILED	1) CLEAN SENSING TIP 2) VERIFY SOLUTIONS 3) DO NOT LEAVE UNATTENDED 4) RE-CALIBRATE
Relay 1 Expired	RELAY 1 TIME ON EXPIRED	1) CHECK SENSOR OP 2) CHECK AUX EQUIP A) PUMPS B) TANKS
Relay 2 Expired	RELAY 2 TIME ON EXPIRED	1) CHECK SENSOR OP 2) CHECK AUX EQUIP A) PUMPS B) TANKS
Relay 3 Expired	RELAY 3 TIME ON EXPIRED	1) CHECK SENSOR OP 2) CHECK AUX EQUIP A) PUMPS B) TANKS

3.2.7 SENTINEL® SCREENS

The SENTINEL feature allows the Model T80 transmitter to provide Pre-pHault diagnostic information about the accuracy of a pH, ORP or plon measurement. The SENTINEL displays a filled triangular gauge that decreases proportionally to the degradation of the reference electrode. A filled gauge indicates a properly functioning measurement while the emptying gauge indicates the remaining life of the electrode. This Pre-pHault diagnostic alerts the user to potential problems and provides a visual indicator of the sensor's remaining life before the measurement actually fails.



The Model T80 transmitter only displays the SENTINEL functions when a Model S80 SENTINEL sensor is connected. The Model S80 SENTINEL sensor uses Diagnostic electrodes designated by Part#'s 20053XX, these electrodes use a triaxial connector with a, PV connection (pH, ORP, Ion), Reference connection and Diagnostic connection.

On a dual channel instrument an asterisk *, will be displayed in the sensor name block, SENSOR 2 *. The SENTINEL function will only be visible in the Single Screen mode, not in the Dual Screen mode. Toggle the BACK Key from Dual → Sensor 1 → Sensor 2 to see the SENTINEL function.

Configure SENTINEL Function

The SENTINEL function is located in the Configure Sensor menu:

CONFIG → SENSOR → SENSOR 1 or 2 → MORE → SNTL

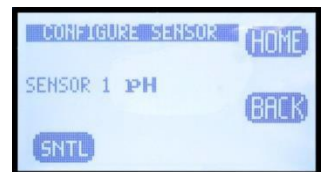
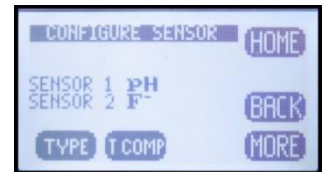
There are three values displayed:

V_o = SENTINEL Voltage offset, The diagnostic voltage of a new electrode

V_e = SENTINEL expiration Voltage, V_o + Range

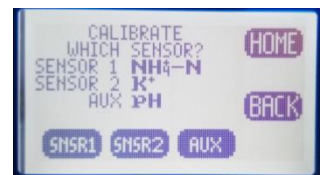
RANGE = The shift in the diagnostic voltage required to trigger diagnostic fault.

The default values of V_o = 0.0 mV and the Range = 60 mV are good for most situations. The starting diagnostic voltage is typically near 0 mV on a new electrode and if the readings have drifted 60 mV apart (a full pH unit) then electrode service is required.



3.2.8 Hydra SCREENS

The **Ammonium HYDRA-DS Analyzer** measures the concentration of dissolved ammonium as nitrogen (NH₄⁺-N) in water. The sensor uses three electrodes to determine the NH₄⁺-N concentration, an Ammonium Ion Electrode, a Potassium Ion Electrode and a pH electrode. It is designed for use in all kinds of water. Typical applications include monitoring environmental waters, lakes, streams and wells as well as wastewater treatment in aeration basins and effluent. The Ammonium will correspond as **Sensor 1**.



Potassium Ion Compensation

The Ammonium Ion Electrode provides the primary measurement. Any potassium ion in the sample, due to its similar size and charge to the ammonium ion, causes a positive interference in the measurement. A Potassium Ion Electrode measures the amount of potassium ion present in the sample and T80 Analyzer subtracts the appropriate amount of signal from the Ammonium Measurement. Potassium will correspond as **Sensor 2**. The ratio of interference is 8:1. So for every 8 parts of Potassium, there will be an increase of 1 part of Ammonium.

pH Compensation

The Ammonium Ion Electrode only measures the ammonium ion (NH_4^+) not ammonia (NH_3). Ammonium ion and ammonia coexist in a pH dependent ratio in solution. At pH 9.2 the ratio is 1:1, at pH 7 nearly all of the ammonia is in the ammonium state and at pH 11 it is nearly all ammonia which is invisible to the sensor. The more acidic values favor the NH_4^+ and the more basic values favor ammonia gas, NH_3 . The pH Electrode measures the pH and the T80 Analyzer calculates the total $\text{NH}_4^+\text{-N}$ concentration based on the pH vs. concentration profile. pH will correspond as **AUX**.

See Appendix G for Wiring and Sensor dimension diagrams.

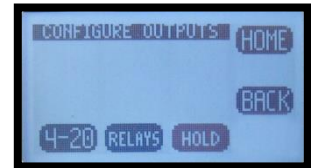
3.3 START UP GUIDE

Install and wire the T80 Transmitter as described in Sections 2.1 and 2.2 above.

Connect the sensor to the transmitter as described in Section 2.2 above.

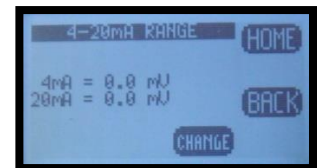
Supply power to the Model T80 transmitter.

Verify the proper measurement type is displayed, pH, ORP or Ion. The sensor automatically uploads the measured parameter, the calibration data and the range of measurement to the transmitter. The default configuration of the 4-20 mA output is the range of the sensor, 0-14 pH for pH sensors, -1500 - +1500 for ORP or 0-XXXX ppm for a pIon Sensor. To change the 4-20 mA range, follow the instructions in Section 3.3.1 below.



3.3.1 CONFIGURE 4-20 MA OUTPUT RANGE

- ❖ Double press any key except the HOME key to enter the HOME Menu. Follow the path below to set the 4-20 mA range.
- ❖ HOME Menu → Press CONFIG → XMTR → OUTPUT → 4-20 (1)(2) → PV or TEMP
- ❖ Press CHANGE to enter New Values.
- ❖ Choose 4 mA value, press OK
- ❖ Enter value using ▲ or ▼ and NEXT to move to the next digit, press OK→Back
- ❖ Choose 20 mA value, press OK,
- ❖ Enter value using ▲ or ▼ and NEXT to move to the next digit, press OK→Back
- ❖ Press BACK to return to the CONFIGURE 4-20 mA screen or HOME to return to the HOME Menu screen.



3.3.2 CONFIGURE 4-20 MA FAULT CONDITION AND CAL

- ❖ In the CONFIGURE 4-20 mA screen, Press **MORE** → **FAULT** or
- ❖ Choose **Low Fault 3.5 mA** or **Hi Fault 22 mA** or **NONE**, (default setting **NONE**), Press OK
- ❖ Press BACK → **CAL**, connect DVM to 4-20 mA line, Press 4.00 mA then adjust value to the DVM reading, Press 20.00 mA and adjust value to the DVM reading. The 4-20 mA output is calibrated.

3.3.3 CONFIGURE ALARM RELAYS (RELAYS OPTIONAL)

- ❖ HOME Menu → Press CONFIG → XMTR → OUTPUT → RELAYS→RLY1
- ❖ Choose the **ALARM**, **TIMER**, **FAULT** or **DISABLE** mode for Relay 1
- ❖ **ALARM** Displays:
 - **SET POINT ON:** The Process Variable Value that activates the relay.
 - **EXPIRATION:** Enter a time that should not be exceeded before the PV should have changed enough to activate the OFF set point. At the Expiration time the relay is deactivated and a Fault condition is initiated. Fault: Relay 1 Time expired: Cause: Loss of reagent, failed sensor
 - **Delay ON:** The amount of time the PV must remain above/below the set point before the relay activates.
 - **SET POINT OFF:** The Value of the process variable that deactivates the relay.
 - SET POINT OFF > Set Point → Low Set Point
 - SET POINT OFF < Set Point → Hi Set Point



- **Delay OFF:** The amount of time the PV must remain above/below the hysteresis point before the relay deactivates.
- **STATE: Energize** (relay is energized on activation)/**De-energize** (relay is de-energized on activation)
- ❖ **TIMER** activates the relay periodically for a specific duration, user configured period and duration
- ❖ **FAULT** sets the relay condition to a de-energize state and NC relay closes in response to a Fault condition.
- ❖ **DISABLE** turns off the relay and removes it's icon from the HOME screen

Setting up an Alarm Relay

- ❖ Choose **ALARM**
- ❖ Press **CHANGE** to enter new values
- ❖ Choose ON Set Point, Press OK
- ❖ Enter value using ▲ or ▼ and NEXT to move to the next digit, press OK, press BACK (Min –Max values indicate the range of acceptable values)
- ❖ Choose Expiration, Press OK,
- ❖ Choose time from drop down menu using ▲ or ▼, press OK, press BACK
- ❖ Choose OFF Set Point, Press OK
- ❖ Enter value using ▲ or ▼ and NEXT to move to the next digit, press OK, press BACK
- ❖ Choose Delay ON, Press OK
- ❖ Enter value using ▲ or ▼ and NEXT to move to the next digit, press OK, press BACK
- ❖ Choose Delay OFF, Press OK
- ❖ Enter value using ▲ or ▼ and NEXT to move to the next digit, press OK, and press BACK when done to exit Relay 1.
- ❖ Repeat for Relay 2 and Relay 3.

3.3.4 EXIT MENUS AND RETURN TO MAIN DISPLAY

- ❖ Press HOME Key to return to the Home Menu Screen
- ❖ Press Hold to turn OFF Hold
- ❖ Press EXIT Key to exit the menu
- ❖ “Save Changes?” press YES
- ❖ Choose Display Mode, **DATA**, **mV** or **GRAF** by pressing selection Key. The selection key displays which screen will be displayed next.
 - The type of graphical display used, Line, Bar or Gauge is selected in CONFIG → XMTR → LCD → GRAPH → LINE, GAUGE, BAR



3.3.5 SENSOR START UP

All sensors are supplied with protective caps over the sensing end. Remove the cap(s) from the sensor before installing in the process. All sensors were calibrated at the factory before shipment, no calibration should be necessary before use. Allow the sensor to equilibrate to the process solution conditions for ½ hour before verifying the reading against a grab sample. If calibration is required follow the instruction in Section 4.0 below.

3.4 USER SELECTABLE OPTIONS

3.4.1 SCREEN LIGHTING

LED back lighting is available on AC and DC powered instruments only, this feature is inactive on loop powered instruments.

Contrast can be adjusted for optimal viewing. The Backlight can be adjusted to timeout after a set period of time or remain on.



Location: CONFIG → XMTR → LCD → Set Up → CONT, BACK LIGHT

3.4.2 GRAPHICAL DISPLAY

There are three graphical display choices:

- ❖ **LINE**, The Line graph is a moving average of the process variable with the 4-20 mA range as the maximum/minimum values and a choice of time scales.

The Time scale is the amount of time displayed across the full screen. Choices include:

Full Screen Period	15 minutes	1 hour	12 hours	1 day	2 days
Sample Rate (1 point every)	10 seconds	40 seconds	8 minutes	15 minutes	30 minutes

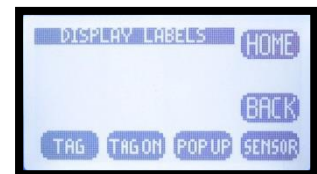
- ❖ **GAUGE**, Live reading displaying 0-100% of 4-20 mA range. The Alarm Relay number(s), #1, #2 and #3 mark the respective set points on graph.
- ❖ **BAR**, Live reading displaying 0-100% of 4-20 mA range. The Alarm Relay number(s), #1, #2 and #3 mark the respective set points on graph.

Pressing **OK** after selecting a Graphical Display will exit the menu structure and return to the Main Display.

Location: CONFIG → XMTR → LCD → GRAPH

3.4.3 TAG TRANSMITTER NAME

Two 16 character lines are available for naming the transmitter, Upper and Lower case characters, Numbers and Punctuation are available. The information entered will be displayed in the INFO screen and optionally in the Main display sequence if activated in the TAG ON menu. The character set is listed below sequentially; the first character in the set is an empty space.



! " # \$ % & ' () * + , - . / 0 1 2 3 4 5 6 7 8 9 : ; < = > ? @ A B C D E F G H I J K L M N O P Q R S T U V W X Y Z [\] ^ _ ' a b c d e f g h i j k l m n o p q r s t u v w x y z { | } → ←

Entry is accomplished by scrolling through the alphanumeric list with the ▲ (forward →) and ▼ (backwards ←) arrows to the character of choice and then pressing **NEXT** to advance the cursor to the next digit. Pressing and holding the ▲ or ▼ keys will initiate two speed auto scrolling. Press **BACK** to exit the screen.



Location: CONFIG → XMTR → LCD → LABELS → TAG

3.4.4 SENSOR NAME

Two 16 character lines are available for naming the Sensor, Upper and Lower case characters, Numbers and Punctuation are available. The information entered will be displayed in the INFO screen. Entry is accomplished by scrolling through the alphanumeric list with the ▲ (forward →) and ▼ (backwards ←) arrows to the character of choice and then pressing **NEXT** to advance the cursor to the next digit. Pressing and holding the ▲ or ▼ keys will initiate two speed auto scrolling. Press **BACK** to exit the screen.

Location: CONFIG → XMTR → LCD → LABELS → SENSOR

3.4.5 PASSWORD PROTECTION

PASSWD Enter 4 character password to protect access to MENU Level, CAL Menu, CONFIG Menu and SIM Menu (simulate). Each level can be turned ON or OFF and can have a unique password. Upper Case Characters and Numbers are available for use.

Place the cursor in front of the level to be changed and Press **OK**. Move the cursor to **ON** and press **OK** to change the password status from OFF to ON.

Entry is accomplished by scrolling through the alphanumeric list with the ▲ (forward →) and ▼ (backwards ←) arrows to the character of choice and then pressing **NEXT** to advance the cursor to the next digit. Pressing and holding the ▲ or ▼ keys will initiate two speed auto scrolling.



- | | | | |
|-----------------|--------|------|----------------------|
| ○ MENU | ON/OFF | ---- | Locks Main Menu |
| ○ CAL | ON/OFF | ---- | Locks CAL and |
| | CONFIG | | |
| ○ CONFIG | ON/OFF | ---- | Locks CONFIG |
| ○ SIM | ON/OFF | ---- | Locks SIM and CONFIG |

In the case of a **Lost or Forgotten password** enter **MSTR** to access the screen.

Location: CONFIG → XMTR → PSSWD

4.0 CALIBRATION

The Model T80 transmitter provides three methods of calibration:

4.0.1 AUTO CALIBRATION DESCRIPTION

Auto calibration is the primary calibration method for all measurements. AUTO calibration automatically recognizes the calibration solution the sensor is in and proposes the actual temperature compensated value for acceptance. AUTO calibration can be a single point or two point calibration. A single point calibration sets the zero point or offset value of the sensor. The second calibration sets the slope or span of the sensor.

When the AUTO key is pressed the transmitter displays the PV (Process Variable) and the associated mV signal from the sensor. When the reading has stabilized a calibration value is AUTOMATICALLY proposed, i.e. 7.00 pH, 10 ppm Fluoride ion, 0.00 mg/L Dissolved Oxygen. **The user is prompted to accept the proposed calibration value or enter and accept another value.** Once Cal 1 is accepted the user is asked to continue to Cal 2, yes/no. If yes, then a second calibration value is proposed when the sensor has stabilized in the second calibration solution. Accept the value and the calibration is complete.

At the end of each calibration the Offset and Slope are displayed in the respective units, pH, mV, ppm, mg/l.

4.0.2 STANDARDIZE CALIBRATION DESCRIPTION

A Standardize Calibration is a single point calibration where the transmitter's reading is adjusted to agree with a solution of known value, either a calibration standard, a grab sample or laboratory determined value. In many cases the constituents and the pressure and temperature of the process solution are very different from the calibration solution. In these cases, once the sensor has equilibrated, the Zero Point or Offset value may have shifted from the original calibration point. Standardization allows for correction of this type of offset.

When the STAND key is pressed, the user is prompted to ENTER VALUE. The user enters the value they want the transmitter to read and press OK. The user is then prompted to accept the value, yes/no, and the calibration is complete. Standardizations are single point calibrations.

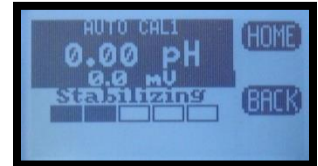
At the end of each calibration the Offset and Slope are displayed in the respective units, pH, mV, ppm, mg/l.

4.0.3 MANUAL CALIBRATION DESCRIPTION

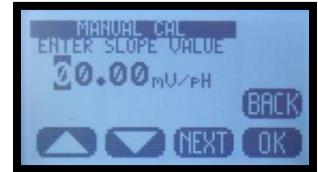
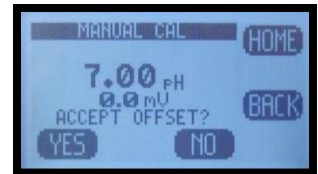
Manual calibration allows the user to enter calibration data for an electrode into the transmitter without performing a calibration. A MANUAL Calibration requires the entry of three pieces of data, (1) A **concentration** with the (2) **corresponding mV** value and (3) a **slope** for the electrode. This allows laboratory generated calibration data for an electrode to be entered in a remote analyzer where calibration is difficult or impractical.

Example: MANUAL Calibration for a pH electrode

1. Calibrate the pH electrode in the laboratory
2. Record the mV value of some pH Standard, pH 7.00 buffer = 6.8 mV (any pH – mV pair will work)



3. Calculate and Record the slope of the electrode, -58.2 mV/pH
4. Install the electrode into the field mounted sensor
5. Press **MANUAL** and enter the pH value, 7.00 pH, press **mV** and enter the corresponding mV value, 6.8 mV, press **OK**, Accept Offset?, press **YES**, enter slope- 58.2 mV/pH, press **OK**, Accept Slope?, Press **YES**
6. The Calibration is complete, the Offset and Slope values are displayed, press **OK** to exit.



4.1 PH CALIBRATION PROCEDURES

AUTO Calibration recognizes pH 4.01, pH 7.00 and pH 10.00 buffer solutions for automatic, temperature compensated calibrations. Any calibration solutions can be used but the pH value will have to be entered manually. Follow the steps below to accomplish a pH calibration. Example uses pH 7.00 and pH 4.01 (10.00) buffers.

4.1.1 AUTO CAL USING PH 4.01, 7.00, 10.00 BUFFERS

Action	Prompt
Double Press any Button	MENU HOME, Hold is OFF
Press HOLD	Hold freezes 4-20 mA Output and locks Alarm Relays during Calibration
Press CAL	Is this a new Sensor? (Yes erases CAL Log in INFO, NO adds CAL to existing Log)
Press Yes/NO	Place Sensor in CAL Solution (use pH 7.00 buffer)
Press AUTO then CAL 1	STABILIZING, 7.00 pH x.x mV, 7.00 pH corrected Accept Cal?
Press YES	CAL1 Value 7.00 pH, Continue to CAL2? Move sensor to 4.01 (10.00) pH buffer solution
Press YES	STABILIZING, 4.00 (10.00) pH xxx.x mV, 4.00 (10.00) pH corrected Accept Cal?
Press YES	OFFSET: 7.00 pH x.x mV, SLOPE: -59.16 mV/pH (data written to Log)
Press OK	Calibration complete
Press HOME	Hold is ON
Press HOLD	Turn off Hold
Press EXIT	Main Display

4.1.2 AUTO CAL USING OTHER PH BUFFERS

Action	Prompt
Double Press any Button	MENU HOME, Hold is OFF
Press HOLD	Hold freezes 4-20 mA Output and locks Alarm Relays during Calibration
Press CAL	Is this a new Sensor? (Yes erases CAL Log in INFO, NO adds CAL to existing Log)
Press Yes/NO	Place Sensor in CAL Solution
Press AUTO then CAL 1	STABILIZING, xx.xx pH x.x mV, 7.00 pH corrected Accept Cal?
Press NO	Enter CAL 1 Value
Press ▲ ▼ NEXT	xx.xx pH (use arrows and NEXT to enter pH Buffer value)
Press OK	xx.xx pH, xxx.x mV, Accept this Value
Press YES	CAL 1 Value xx.xx pH, Continue to CAL 2? (Place Sensor in 2 nd calibration buffer)
Press YES	STABILIZING, xx.xx pH xxx.x mV, 4.00 pH corrected Accept Cal?
Press NO	Enter CAL 2 Value
Press ▲ ▼ NEXT	xx.xx pH (use arrows and NEXT to enter pH Buffer value)
Press OK	xx.xx pH, xxx.x mV, Accept this Value
Press YES	OFFSET: xx.xx pH x.x mV, SLOPE: -59.16 mV/pH (data written to Log)
Press OK	Calibration complete
Press HOME	Hold is ON
Press HOLD	Turn off Hold
Press EXIT	Main Display

4.1.3 STANDARDIZE

Leave the sensor in the process solution, take a grab sample from the process and determine the pH or place sensor in a calibration standard solution.

Action	Prompt
Double Press any Button	MENU HOME, Hold is OFF
Press HOLD	Hold freezes 4-20 mA Output and locks Alarm Relays during Calibration

Press CAL	Is this a new Sensor? (Yes, erases CAL Log in INFO, NO adds CAL to existing Log)
Press NO	Place Sensor in CAL Solution (or leave in the process solution)
Press STAND	Enter Value
Press ▲ ▼ NEXT	xx.xx pH (use arrows and NEXT to enter process pH value)
Press OK	xx.xx pH, xxx.x mV, Accept Value?
Press YES	OFFSET: xx.xx pH x.x mV, SLOPE: xx.xx mV/pH (this data written to Log)
Press OK	Back to Cal Menu
Press HOME	Hold is ON (Press HOLD to turn off Hold)
Press HOLD	Turn off Hold
Press EXIT	Main Display

4.2 ORP CALIBRATION PROCEDURES

AUTO Calibration recognizes Quinhydrone solutions (mVa), pH 7.00 quinhydrone solution (90 mV) and pH 4.01 quinhydrone solution (267 mV) for automatic ORP calibrations. Any calibration solutions can be used but the ORP value will have to be entered manually. Follow the steps below to accomplish an ORP calibration.

4.2.1 AUTO CAL WITH QUINHYDRONE

Action	Prompt
Double Press any Button	MENU HOME, Hold is OFF
Press HOLD	Hold freezes 4-20 mA Output and locks Alarm Relays during Calibration
Press CAL	Is this a new Sensor? (Yes erases CAL Log in INFO, NO adds CAL to existing Log)
Press Yes/NO	Place Sensor in CAL Solution (use pH 7.00 Q solution)
Press AUTO then CAL 1	STABILIZING, xxx.x mV, xxx.x mV _a , 90.0 mV corrected Accept Cal?
Press YES	CAL1 Value 90.0 mV, Continue to CAL2? Move sensor to pH 4.01 Q solution
Press YES	STABILIZING, 269.2 mV 267.0 mV _a , 267 mV corrected Accept Cal?
Press YES	OFFSET: 90.0 mV _a , 87 mV, SLOPE: 1.02 mV/ mV _a (data written to Log)
Press OK	Calibration complete
Press HOME	Hold is ON
Press HOLD	Turn off Hold
Press EXIT	Main Display

4.1.2 STANDARDIZE

Leave the sensor in the process solution, take a grab sample from the process and determine the ORP.

Action	Prompt
Double Press any Button	MENU HOME, Hold is OFF
Press HOLD	Hold freezes 4-20 mA Output and locks Alarm Relays during Calibration
Press CAL	Is this a new Sensor? (Yes, erases CAL Log in INFO, NO adds CAL to existing Log)
Press NO	Place Sensor in CAL Solution (or leave in the process solution)
Press STAND	Enter Value
Press ▲ ▼ NEXT	xx.xx mV (use arrows and NEXT to enter process ORP value)
Press OK	xxx.x mV, xxx.x mV, Accept Value?
Press YES	OFFSET: xxx.x mV xxx.x mV, SLOPE: xx.xx mV/mV (this data written to Log)
Press OK	Back to Cal Menu
Press HOME	Hold is ON (Press HOLD to turn off Hold)
Press HOLD	Turn off Hold
Press EXIT	Main Display

4.3 PION CALIBRATION PROCEDURES

AUTO Calibration recognizes 1, 10 or 100 ppm/ppb calibration solutions. Any calibration solutions can be used but the ppm value will have to be entered manually. Follow the steps below to accomplish a pION calibration.

4.3.1 AUTO CAL USING 1, 10, 100 PPM SOLUTIONS

Action	Prompt
Double Press any Button	MENU HOME, Hold is OFF
Press HOLD	Hold freezes 4-20 mA Output and locks Alarm Relays during Calibration
Press CAL	Is this a new Sensor? (Yes erases CAL Log in INFO, NO adds CAL to existing Log)
Press Yes/NO	Place Sensor in CAL Solution (use 10 ppm solution)
Press AUTO then CAL 1	STABILIZING, 10.00 ppm, xxx.x mV, 10.00 ppm corrected, Accept Cal?
Press YES/NO	CAL1 Value 10.00 ppm, Continue to CAL2? Move sensor to 100 ppm solution
Press YES	STABILIZING, 100.0 ppm, xx.xx mV, 100 ppm corrected, Accept Cal?
Press YES	OFFSET: 10.00 ppm, 310 mV, SLOPE: 55.1 mV/ decade (data written to Log)
Press OK	Calibration complete
Press HOME	Hold is ON
Press HOLD	Turn off Hold
Press EXIT	Main Display

4.3.2 AUTO CAL USING NON-DECIMAL PPM SOLUTIONS

Action	Prompt
Double Press any Button	MENU HOME, Hold is OFF
Press HOLD	Hold freezes 4-20 mA Output and locks Alarm Relays during Calibration
Press CAL	Is this a new Sensor? (Yes erases CAL Log in INFO, NO adds CAL to existing Log)
Press YES/NO	Place Sensor in CAL Solution
Press AUTO then CAL 1	STABILIZING, xx.xx pH x.x mV, 10.00 ppm corrected Accept Cal?
Press NO	Enter CAL 1 Value
Press ▲ ▼ NEXT	xxxx.x ppm (use arrows and NEXT keys to enter Cal value)
Press OK	xxxx.x ppm, xxx.x mV, Accept this Value
Press YES	CAL 1 Value xxxx.x ppm, Continue to CAL 2? (Place Sensor in 2 nd calibration solution)
Press YES	STABILIZING, xxxx.x ppm xxx.x mV, xxx.x ppm corrected Accept Cal 2?
Press NO	Enter CAL 2 Value
Press ▲ ▼ NEXT	xxxx.x ppm (use arrows and NEXT keys to enter Cal value)
Press OK	xxxx.x ppm, xxx.x mV, xxx.x ppm corrected Accept Cal 2?
Press YES	OFFSET: xxxx.x ppm xxx.x mV, SLOPE: 55.40mV/decade (data written to Log)
Press OK	Calibration complete
Press HOME	Hold is ON
Press HOLD	Turn off Hold
Press EXIT	Main Display

4.3.3 STANDARDIZE

Leave the sensor in the process solution, take a grab sample from the process and determine the Ion concentration.

Action	Prompt
Double Press any Button	MENU HOME, Hold is OFF
Press HOLD	Hold freezes 4-20 mA Output and locks Alarm Relays during Calibration

Press CAL	Is this a new Sensor? (Yes, erases CAL Log in INFO, NO adds CAL to existing Log)
Press NO	Place Sensor in CAL Solution (or leave in the process solution)
Press STAND	Enter Value
Press ▲ ▼ NEXT	xxxx.x ppm (use arrows and NEXT to enter process Ion ppm value)
Press OK	xxxx.x ppm, xxx.x mV, Accept Value?
Press YES	OFFSET: xxxx.x ppm xxx.x mV, SLOPE: xx.xx mV/DEC (this data written to Log)
Press OK	Back to Cal Menu
Press HOME	Hold is ON (Press HOLD to turn off Hold)
Press HOLD	Turn off Hold
Press EXIT	Main Display

4.4 S80/DO90 DISSOLVED OXYGEN CALIBRATION PROCEDURES

There are two separate calibration procedures for Dissolved Oxygen sensors, Section 4.4 for S80 DO and DO90 ppb DO and Section 4.5 for TRITON® DO82 Optical.

The dissolved oxygen AUTO Cal acknowledges zero ppm, mg/l, % SAT for CAL 1 and the temperature compensated value for atmospheric oxygen, 8.25 ppm, mg/l at 25°C or 100 % SAT for CAL 2.

The zero point is set by placing the sensor into an oxygen free solution and verifying the displayed value drops to a value below 1 mV. The sensor will take a few minutes to equilibrate to the zero oxygen solution but for the highest accuracy it is best to wait 15-20 minutes before initiating a calibration. The typical sensor will burn down to 0.5 – 0.7 mV in an hour or so in a zero ppm solution. A zero ppm O2 solution can be made by adding approximately 5 grams of sodium sulfite to a liter of distilled water or purging the sample with nitrogen gas.

The slope (CAL 2) is set by placing the sensor in air saturated distilled water or water saturated (100% humidity) air. The easiest method is to suspend the sensor vertically in beaker with a ½” of water in the bottom slightly above the water.

A STANdardize calibration adjusts the CAL 2 value, resetting the slope of the sensor, mV/ppm.

The actual concentration in mg/L (C) is equal to the Saturation value at the given temperature multiplied by the altitude and air pressure corrections. Determine the calibration temperature and look up the saturation value (S) in Table 1 below. Then determine the altitude correction (K) from Table 2 and the current air pressure in bar (P), 1 bar equals 14.7 psi. Use 1 bar if the actual air pressure is unknown.

$$C = S \times K \times P$$

Example:

Temperature = 20°C → Saturation = 9.08 mg/L, Altitude = 1200 ft → K = 0.960, Air Pressure 1.014 bar

$$C = 9.08 \times 0.960 \times 1.014 = 8.84 \text{ mg/L}$$

The T80 transmitter uses the temperature compensated Saturation Index for AUTO Cal, however the user can enter the altitude and pressure compensated value of 8.84 ppm as the calibration value when prompted to “Accept Value?” in CAL 2.

Table 1 Saturation Index

Temperature °C (°F)	Saturation mg/L	Temperature °C (°F)	Saturation mg/L	Temperature °C (°F)	Saturation mg/L
0 (32)	14.64	14 (57)	10.28	28 (82)	7.82

1 (34)	14.23	15 (59)	10.06	29 (84)	7.69
2 (36)	13.83	16 (61)	9.85	30 (86)	7.55
3 (38)	13.45	17 (63)	9.64	31 (88)	7.42
4 (39)	13.09	18 (64)	9.45	32 (90)	7.30
5 (41)	12.75	19 (66)	9.26	33 (91)	7.18
6 (43)	12.42	20 (68)	9.08	34 (93)	7.06
7 (45)	12.11	21 (70)	8.90	35 (95)	6.94
8 (46)	11.81	22 (72)	8.73	36 (97)	6.83
9 (48)	11.53	23 (73)	8.57	37 (99)	6.72
10 (50)	11.25	24 (75)	8.41	38 (100)	6.61
11 (52)	10.99	25 (77)	8.25	39 (102)	6.51
12 (54)	10.75	26 (79)	8.11	40 (104)	6.41
13 (55)	10.51	27 (81)	7.96		

Table 2 Altitude Correction

Altitude m (ft)	K	Altitude m (ft)	K	Altitude m (ft)	K
Sea Level 0	1.000	700 (2300)	0.922	1400 (4600)	0.849
50 (160)	0.994	750 (2450)	0.916	1450 (4750)	0.844
100 (330)	0.988	800 (2600)	0.911	1500 (4900)	0.839
150 (500)	0.982	850 (2800)	0.905	1550 (5100)	0.834
200 (660)	0.977	900 (2950)	0.900	1600 (5250)	0.830
250 (820)	0.971	950 (3100)	0.895	1650 (5400)	0.825
300 (980)	0.966	1000 (3300)	0.890	1700 (5600)	0.820
350 (1200)	0.960	1050 (3450)	0.885	1750 (5750)	0.815
400 (1300)	0.954	1100 (3600)	0.879	1800 (5900)	0.810
450 (1500)	0.949	1150 (3775)	0.874	1850 (6050)	0.805
500 (1650)	0.943	1200 (3950)	0.869	1900 (6200)	0.801
550 (1800)	0.938	1250 (4100)	0.864	1950 (6375)	0.796
600 (2000)	0.932	1300 (4250)	0.859	2000 (6550)	0.792
650 (2150)	0.927	1350 (4400)	0.854		

4.4.1 AUTO CAL USING ZERO PPM SOLUTION AND AIR

Action	Prompt
Double Press any Button	MENU HOME, Hold is OFF
Press HOLD	Hold freezes 4-20 mA Output and locks Alarm Relays during Calibration
Press CAL	Is this a new Sensor? (Yes erases CAL Log in INFO, NO adds CAL to existing Log)
Press Yes/NO	Place Sensor in CAL 1 Solution (use 0.00 ppm solution) or CAL 2 Solution (Air)
	To perform zero CAL press CAL 1, to skip zero cal press CAL 2
Press AUTO then CAL ?	STABILIZING, 0.00 ppm, xxx.x mV, 0.00 ppm corrected, Accept Cal?
Press YES	CAL 1 Value 0.00 ppm, Continue to CAL2? Move sensor to Air or saturated water
Press YES	STABILIZING, 8.25 ppm, xxx.x mV, 8.25 ppm corrected, Accept Cal?
Press YES	OFFSET: 0.00 ppm, 2.3 mV, SLOPE: 40.1 mV/ ppm (data written to Log)
Press OK	Calibration complete
Press HOME	Hold is ON
Press HOLD	Turn off Hold
Press EXIT	Main Display

4.4.2 STANDARDIZE

Leave the sensor in the process solution or in the air, take a grab sample from the process and determine the dissolved oxygen concentration or enter the temperature and pressure corrected value for air.

Action	Prompt
Double Press any Button	MENU HOME, Hold is OFF
Press HOLD	Hold freezes 4-20 mA Output and locks Alarm Relays during Calibration
Press CAL	Is this a new Sensor? (Yes, erases CAL Log in INFO, NO adds CAL to existing Log)
Press NO	Place Sensor in Air or the process solution
Press STAND	Enter Value
Press ▲ ▼ NEXT	xxx.xx ppm or % SAT (use arrows and NEXT to enter process value)
Press OK	xxx.xx ppm, xxx.x mV, Accept Value?
Press YES	OFFSET: 0.00 ppm xx.x mV, SLOPE: xx.xx mV/ppm (this data written to Log)
Press OK	Back to Cal Menu
Press HOME	Hold is ON (Press HOLD to turn off Hold)
Press HOLD	Turn off Hold
Press EXIT	Main Display

4.4.3 MANUAL CAL

Leave the sensor in the process solution or in the air, take a grab sample from the process and determine the dissolved oxygen concentration or enter the temperature and pressure corrected value for air.

Action	Prompt
Double Press any Button	MENU HOME, Hold is OFF
Press HOLD	Hold freezes 4-20 mA Output and locks Alarm Relays during Calibration
Press CAL	Is this a new Sensor? (Yes, erases CAL Log in INFO, NO adds CAL to existing Log)
Press NO	Place Sensor in Air or the process solution, it doesn't matter which
Press MANUAL	Enter Zero Value
Press ▲ ▼ NEXT	000.00 ppm or % SAT (use arrows and NEXT to enter ppm value)
Press mV Button	Enter mV value for zero ppm solution (default use 0.5 mV)
Press ▲ ▼ NEXT	000.00 mV (use arrows and NEXT to enter mV value)
Press OK	OFFSET: 0.00 ppm 00.5 mV, Accept Value?
Press YES	Slope 000.0 mV/ppm or 000.0 mV/% SAT
Press ▲ ▼ NEXT	048.00 mV/ppm (use calculated value or 45 mV/ppm or 4.0 mV/% SAT)
Press OK	Slope 48.00 mV/ppm, Accept this Value?
Press YES	Back to Cal Menu
Press HOME	Hold is ON (Press HOLD to turn off Hold)
Press HOLD	Turn off Hold
Press EXIT	Main Display

4.5 TRITON® DISSOLVED OXYGEN CALIBRATION PROCEDURES

Before starting a calibration Enter the Salinity and Barometric pressure in the CONFIG→SENSOR menu. The default values are Salinity 0‰ and 1013 mbar. Use Table 2 above to calculate the pressure using elevation if the actual pressure is not known.

The TRITON® DO82 sensor was calibrated at the factory prior to shipment and should not require a re-calibration at start up. Calibration is required whenever the fluorescence cap/membrane cap is replaced.

Calibrations can be performed as a one point (Air cal), a two point (zero point & Air cal) or a standardization, there is no Manual Cal option available for the TRITON® dissolve oxygen sensors.

The Auto Cal allows both 0% and 100% calibrations. The sensor senses the oxygen partial pressure and if it is less than 20% of saturation it assumes a Zero Point calibration and calibrates to 0.00% saturation, 0.00 mg/l or 0.00 mbar depending on the measurement mode. If the sensed value is above 75% of saturation it assumes an Air Calibration and calibrates to the value equivalent to 100% saturation.

The zero point of the sensor is relatively stable through the life of the fluorescence/membrane cap. The zero point is checked by placing the sensor into an oxygen free solution and verifying the displayed value drops to a value near zero ppm. The sensor will take a few minutes to equilibrate to the zero oxygen solution but it is best to wait 15-20 minutes before initiating a calibration (up to a 10 minute cycle time) for the highest accuracy. A zero ppm O₂ solution can be made by adding approximately 5 grams of sodium sulfite to a liter of distilled water or purging the sample with nitrogen gas.

Air saturated water and water saturated air (100% humidity) have the same oxygen partial pressure. The preferred calibration method uses water saturated air. The Protective Guard can be removed from the front of the sensor and filled a small amount of distilled water, ~5 ml, for an easy to use Calibration Cap.

The calibration cycle takes up to 10 minutes once initiated. The DO82 sensor should be equilibrated for 10-15 minutes to the air sample (100% humidity, 0% Salinity) and the ambient temperature before starting the calibration. When measuring in the “% Saturation mode”, 100% will be reported as the calibration value.

4.5.1 AUTO CAL USING ZERO PPM SOLUTION AND AIR

Action	Prompt
Double Press any Button	MENU HOME, Hold is OFF
Press HOLD	Hold freezes 4-20 mA Output and locks Alarm Relays during Calibration
Press CAL	Place Sensor in Zero Solution (0.00 ppm solution) (Optional Zero Cal)
Press AUTO (Optional)	CALIBRATING, SAVING CAL, AUTO CAL COMPLETE, OK? (up to 10 minutes)
Press OK (Optional)	
AIR CALIBRATION	Move sensor to Air (100% humidity) or Air saturated water
Press AUTO	CALIBRATING, SAVING CAL, AUTO CAL COMPLETE, OK?
Press OK	Returned to Cal Menu
Press HOME	Hold is ON
Press HOLD	Turn off Hold
Press EXIT	Main Display

4.5.2 STANDARDIZE

Leave the sensor in the process solution or in the air, take a grab sample from the process and determine the dissolved oxygen concentration or enter the temperature and pressure corrected value for air.

Action	Prompt
Double Press any Button	MENU HOME, Hold is OFF
Press HOLD	Hold freezes 4-20 mA Output and locks Alarm Relays during Calibration
Press CAL	Place Sensor in Air or with the sensor in the process solution
Press STAND	Enter Value
Press ▲ ▼ NEXT	xx.xx ppm or % SAT (use arrows and NEXT to enter process value)
Press OK	xx.xx ppm, Accept Value?
Press YES	CALIBRATING, SAVING CAL, CURRENT VALUE: x.xx ppm, DESIRED VALUE: x.xx ppm, OFFSET xxx ppb or ppm
Press OK	Back to Cal Menu
Press HOME	Hold is ON (Press HOLD to turn off Hold)
Press HOLD	Turn off Hold
Press EXIT	Main Display

4.6 TRITON® TR86 TURBIDITY/SUSPENDED SOLIDS SENSOR (For TR80 or TR82 refer to TR80 or TR82 Manuals)

The TRITON® TR86 turbidity sensors are dual range sensors available in four different ranges. The TR86 turbidity sensors have a non-linear output. The calculation of the turbidity is accomplished using a 2nd order polynomial of the millivolt output, $NTU = ax^2 + bx + c$, where x = millivolt output of the sensor. A three point calibration is required to define the shape of the curve. The Model T80 turbidity analyzer was calibrated at the factory before shipment in three Formazine solutions using the values listed below. The calibration was performed with the three solutions specific for the NTU range of the sensor ordered.

Changing the range of the sensor (Hi to Low or Low to Hi) or changing the measurement unit will require a new three point calibration. The calibration points for the three point calibration are 0%, 50% and 100% of the measurement range, NTU, FNU, ppm, mg/L or % Solids. Calibrations of NTU or FNU can be made with formazine solutions diluted from the 4000 NTU stock solution to the values listed in the table below. Calibrations of ppm, mg/L, and % Solids require the actual process solutions to be used for the calibration. The 100% solution for the ppm, mg/L and % solids should be near the high point of the measurement, it does not need to be the maximum value but it should be in the upper range of the measurement. The value of the solution must be known or determined by another method such as a grab sample and laboratory measurement. Then make the 50% solution from 1 part of the high sample to one part deionized water, its value is half of the high value and finally use deionized water for the 0% solution.

Calibrations should be performed in a vessel with similar characteristics to the actual process installation. Black plastic containers work best, minimizing reflectance problems in lower NTU solutions. ECD offers a TRITON® TR86 Turbidity Calibration Kit that includes a TR86 Calibration Cup, 250 ml, 100 ml and 50 ml graduated cylinders and a 1 liter volumetric flask. The kit provides the necessary laboratory equipment to make calibration standards from a 4000 NTU formazine stock solution and an easy to use calibration cup. This kit is ideal for calibration of inline pipe mounted TR86 turbidity sensors.

Example of a mg/L Calibration: The process solution ranges around 3000 mg/L. A 2 liter sample was taken from the process and tested, it was determined to be 2850 mg/L. Keep one liter of the 2850 mg/L solution for the (100%) solution calibration and mix 500 mls of the 100% solution with 500 mls of deionized water, making the

(50%) solution, 1425 mg/L and one liter of deionized water (0%). Start the calibration in the deionized water in the calibration cup and accept 0.00 mg/L when prompted, then put the sensor into the 1425 mg/L solution and enter 1425 mg/L when prompted and finally into the 2850 mg/L solution and enter 2850 mg/L. Accept the calibration and put the sensor back into the process.

Sensor Measurement Ranges	Low Calibration Values	High Calibration Values
0-250 NTU and 0-1000 NTU	0 NTU, 125 NTU, 250 NTU	0 NTU, 500 NTU, 1000 NTU
0-500 NTU and 0-2000 NTU	0 NTU, 250 NTU, 500 NTU	0 NTU, 1000 NTU, 2000 NTU
0-1000 NTU and 0-4000 NTU	0 NTU, 500 NTU, 1000 NTU	0 NTU, 2000 NTU, 4000 NTU
0-2000 NTU and 0-4000 NTU	0 NTU, 1000 NTU, 2000 NTU	0 NTU, 2000 NTU, 4000 NTU

4.6.1 AUTO CAL

The TRITON® TR86 turbidity sensors use a three point AUTO Cal sequence. Cal 1 is a zero point calibration, Cal 2 is a 50% of the measured range calibration and Cal 3 is a 100% of range calibration.

Action	Prompt
Double Press any Button	MENU HOME, Hold is OFF
Press HOLD	Hold freezes 4-20 mA Output and locks Alarm Relays during Calibration
Press CAL	Is this a new Sensor? (Yes erases CAL Log in INFO, NO adds CAL to existing Log)
Press YES/NO	Place Sensor in 0.00 NTU (or FNU, mg/L, ppm, % Solids)CAL Solution
Press AUTO (CAL 1)	STABILIZING, xx.xx NTU x.xx V, 0.00 NTU corrected Accept Cal 1?
Press YES	Place sensor in 50 % solution
	STABILIZING, 492.0 NTU 1.18V, 500.0 ppm corrected, Accept Cal 2?
Press YES/NO	If suggested corrected value is not correct press NO, Enter CAL 2 Value
Press ▲ ▼ NEXT	xxxx.x NTU (use arrows and NEXT keys to enter Cal value)
Press OK	xxxx.x NTU, xxx.x V, 500.0 NTU corrected Accept Cal 2?
Press YES	Place sensor in 100% solution
	STABILIZING, 1000 NTU 2.46V, 1000.0 ppm corrected, Accept Cal 3?
Press YES/NO	If suggested corrected value is not correct press NO, Enter CAL 3 Value
Press ▲ ▼ NEXT	xxxx.x NTU (use arrows and NEXT keys to enter Cal value)
Press OK	1000 NTU, 2.46 V, 1000.0 NTU corrected Accept Cal 3?
Press OK	Calibration complete, returns to Cal Menu
Press HOME	Hold is ON
Press HOLD	Turn off Hold
Press EXIT	Main Display

4.6.2 STANDARDIZE

Standardize is an online/in process **Zero Point Calibration Only**. To change a non-zero value to a new value use the Slope feature in the Manual Cal section. (see below) Standardize is used to zero out the reflectance effects generated by the installation. The sensor will generate a mV signal in a zero NTU environment and this will be different than the zero point value recorded in the AUTO Cal. Standardize shifts the calibration curve to the new zero value. Perform a Standardize calibration with the sensor installed in the process line or tank and immersed in clear water only.

Action	Prompt
Double Press any Button	MENU HOME, Hold is OFF
Press HOLD	Hold freezes 4-20 mA Output and locks Alarm Relays during Calibration
Press CAL	Place Sensor in Air or with the sensor in the process solution

Press STAND	Enter Zero Value
Press ▲ ▼ NEXT	0.00 NTU or ppm, mg/L, % Solids (use arrows and NEXT to enter process value)
Press OK	0.00 NTU, Accept Value?
Press YES	Stand Cal Complete: 8.61 NTU, DESIRED VALUE: 0.00 NTU, OFFSET 8.61 NTU
Press OK	Back to Cal Menu
Press HOME	Hold is ON (Press HOLD to turn off Hold)
Press HOLD	Turn off Hold
Press EXIT	Main Display

4.6.3 MANUAL CAL

Manual Cal provides two options, OFFSET and SLOPE. **OFFSET** is an online/in process **Zero Point Calibration Only**. It is the same value that is adjusted in **Standardize** and it is the set same way. **SLOPE** is an adjustment of the NTU/volt aspect of the turbidity curve pivoting from the Offset point. The SLOPE window displays a unit less number that is changed to adjust the calibration.

Example: TRITON® TR86 in 400 NTU solution but reads 380 NTU. The SLOPE reads 108. The slope of the calibration curve needs to increase so that the voltage that is generating 380 NTU will generate 400NTU. To determine the new slope, first divide the desired value (400 NTU) by the actual value (380 NTU) and multiply the current slope by that number. $400 \text{ NTU} / 380 \text{ NTU} * 108 = 113.7$ the new slope. Enter 113.7 in the SLOPE window, Save the calibration and the analyzer will read 400 NTU.

SLOPE ADJUSTMENT

Action	Prompt
Double Press any Button	MENU HOME, Hold is OFF
Press HOLD	Hold freezes 4-20 mA Output and locks Alarm Relays during Calibration
Press CAL	Place Sensor in Air or with the sensor in the process solution
Press MANUAL	OFFSET or SLOPE
Press SLOPE	Enter SLOPE Value108.00
Press ▲ ▼ NEXT	113.7 (use arrows and NEXT to enter process value)
Press OK	113.7 Accept Value?
Press YES	Manual Cal Complete: OFFSET 8.61 NTU, SLOPE 113.7
Press OK	Back to Cal Menu
Press HOME	Hold is ON (Press HOLD to turn off Hold)
Press HOLD	Turn off Hold
Press EXIT	Main Display

4.7 CONDUCTIVITY SENSORS

AUTO Calibration recognizes Air for zero point (Cal 1) and 50µS, 100µS, 500µS, 1mS, 5mS, 10mS, 50mS and 100mS solutions for the span (Cal 2). Any calibration solutions can be used but the conductivity value will have to be entered manually. Use a calibration standard near the conductivity of the process solution. Example uses air and 1mS.

4.7.1 AUTO CAL USING AIR AND CONDUCTIVITY STANDARD

Action	Prompt
Double Press any Button	MENU HOME, Hold is OFF
Press HOLD	Hold freezes 4-20 mA Output and locks Alarm Relays during Calibration
Press CAL	Is this a new Sensor? (Yes erases CAL Log in INFO, NO adds CAL to existing Log)

Press Yes/NO	Remove the Sensor from Solution and dry the front end, Air = 0.00 μ S
To perform zero CAL press CAL 1, to skip zero cal press CAL 2, only if a zero cal was previously done on the sensor	
Press AUTO then CAL 1	STABILIZING, 0.00 μ S, 1.17 V, 0.00 μ S corrected, Accept Cal?
Press YES	CAL 1 Value 0.00 μ S, Continue to CAL2? Move sensor to 1.00 mS solution
Press YES	STABILIZING, 1.00 mS, 98X.X mV, 1.000 μ S corrected, Accept Cal?
Press YES	OFFSET: 0.00 ppm, 174.4 mV, SLOPE: 984 (data written to Log)
Press OK	Calibration complete
Press HOME	Hold is ON
Press HOLD	Turn off Hold
Press EXIT	Main Display

4.7.2 STANDARDIZE

With the sensor in the process solution, take a grab sample from the process and determine the conductivity using a qualified laboratory conductivity meter.

Action	Prompt
Double Press any Button	MENU HOME, Hold is OFF
Press HOLD	Hold freezes 4-20 mA Output and locks Alarm Relays during Calibration
Press CAL	Is this a new Sensor? (Yes, erases CAL Log in INFO, NO adds CAL to existing Log)
Press NO	With the sensor in the process solution
Press STAND	Enter the laboratory determined conductivity value
Press ▲ ▼ NEXT	xxx.xx μ S/mS (use arrows and NEXT to enter process value)
Press OK	xxx.xx μ S/mS, xxx.x mV, Accept Value?
Press YES	OFFSET: 0.00 μ S 1.0 mV, SLOPE: xx.xx mV/ppm (this data written to Log)
Press OK	Back to Cal Menu
Press HOME	Hold is ON (Press HOLD to turn off Hold)
Press HOLD	Turn off Hold
Press EXIT	Main Display

4.8 TDS CONDUCTIVITY SENSORS

The Total Dissolved Solids measurement (TDS) on the Model T80 transmitter is made with an S80 conductivity sensor and a correlation factor. (*Conductivity in μ S x correlation factor = ppm*)

Conductivity is a measurement of a solution's electrolytic conductivity, 1/ohms. The type of dissolved ions in the solution is irrelevant to the measurement. TDS is a measurement of concentration, ppm (mg/L). Since different salts contribute different amounts of conductivity to a solution, TDS measurements are only valid between solutions of the same chemical makeup. As an example, 1000 ppm of TDS in natural waters has a conductivity around 1400 μ S (correlation factor 0.6712), 1000 ppm of KCl has a conductivity around 2000 μ S (correlation factor 0.5000) and 1000 ppm of NaOH has a conductivity around 6000 μ S (correlation factor 0.1667). All three solutions have a TDS of 1000 ppm but the conductivities are 1400 μ S, 2000 μ S and 6000 μ S. A TDS measurement is only valid for a solution with the same chemical make up as the solution used for calibration.

Calibration is accomplished in two steps; Step 1 Conductivity AUTO Calibration of the sensor (see section 4.7.1 above) and then Step 2 correlation of conductivity to the TDS. The second step can be done by entering the correlation factor into the CONFIG →SENSOR→ TDS menu or by standardizing the sensor in a solution of known TDS in the CAL→STAND menu by entering the TDS value. Since the correlation of conductivity to concentration is not linear it is best to calibrate the sensor near the measured value.

4.8.1 STANDARDIZE

With the sensor in the process solution, take a grab sample from the process and determine the TDS using a qualified laboratory method.

Action	Prompt
Double Press any Button	MENU HOME, Hold is OFF
Press HOLD	Hold freezes 4-20 mA Output and locks Alarm Relays during Calibration
Press CAL	Is this a new Sensor? (Yes, erases CAL Log in INFO, NO adds CAL to existing Log)
Press NO	With the sensor in the process solution or calibration standard
Press STAND	Enter the laboratory determined TDS value
Press ▲ ▼ NEXT	xxx.xx ppm (use arrows and NEXT to enter process value)
Press OK	xxx.xx ppm, xxx.x mV, Accept Value?
Press YES	Current value: xx.xx ppm, Desired value: xx.xx ppm, Offset: xx.xx ppm
Press OK	Back to Cal Menu
Press HOME	Hold is ON (Press HOLD to turn off Hold)
Press HOLD	Turn off Hold
Press EXIT	Main Display

4.9 RESISTIVITY SENSORS

AUTO Calibration recognizes Air for zero point (Cal 1) and a Meg-Ohm process solution for the span (Cal 2). Use the actual process solution or a solution near the resistivity of the process solution. The example below uses air and 15 MΩ. The Cal 1, air calibration value is very stable and need not be done for every calibration.

4.9.1 AUTO CAL USING AIR AND MEG-OHM PROCESS WATER

Action	Prompt
Double Press any Button	MENU HOME, Hold is OFF
Press HOLD	Hold freezes 4-20 mA Output and locks Alarm Relays during Calibration
Press CAL	Is this a new Sensor? (Yes erases CAL Log in INFO, NO adds CAL to existing Log)
Press Yes/NO	Remove the Sensor from Solution and dry the front end
To perform zero CAL press CAL 1, to skip zero cal press CAL 2, only if a zero cal was previously done on the sensor	
Press AUTO then CAL 1	STABILIZING, 55.000 MΩ, 1.20 V, 55.000 MΩ corrected, Accept Cal?
Press YES	CAL 1 Value 55.000 MΩ, Continue to CAL2? Move sensor to MΩ solution
Press YES	STABILIZING, 9.875 MΩ, 517 mV, 9.875 MΩ corrected, Accept Cal?
Press NO	Enter actual MΩ value of the solution, Accept Cal
Press YES	OFFSET: 55.000 MΩ, 1.20 V, SLOPE: 0.938 (data written to Log)
Press OK	Calibration complete
Press HOME	Hold is ON
Press HOLD	Turn off Hold
Press EXIT	Main Display

4.9.2 STANDARDIZE

With the sensor in the process solution, take a grab sample from the process and determine the conductivity using a qualified laboratory conductivity meter.

Action	Prompt
Double Press any Button	MENU HOME, Hold is OFF
Press HOLD	Hold freezes 4-20 mA Output and locks Alarm Relays during Calibration
Press CAL	Is this a new Sensor? (Yes, erases CAL Log in INFO, NO adds CAL to existing Log)

Press NO	With the sensor in the process solution
Press STAND	Enter the laboratory determined conductivity value
Press ▲ ▼ NEXT	xxx.xx MΩ (use arrows and NEXT to enter process value)
Press OK	Current Value xx.xx MΩ, Desired Value: xx.xx MΩ, Offset XX.XX OK?
Press OK	Back to Cal Menu
Press Home	Hold is ON (Press HOLD to turn off Hold)
Press HOLD	Turn off Hold
Press EXIT	Main Display

4.10 Ammonium Hydra-DS Sensor

The HYDRA-DS Ammonium Analyzer was calibrated at the factory using the Two Point Calibration described below. The sensor was assembled and placed beaker of equilibration solution for 8-12 hours before starting the calibration. The Potassium Ion and Ammonium Ion electrodes sensing membranes require several hours to properly hydrate/ equilibrate to the measured solution.

Since the factory calibration characterizes the complete measurement system the initial user calibration should only require a standardization of the Ammonium Ion Electrode once the HYDRA has equilibrated to the process solution. The Factory Calibration and all subsequent calibrations should be performed in the following sequence:

1. pH Electrode calibration in pH 7.00 buffer and pH 4.01 buffer (2 point)
2. Potassium Electrode calibration in 10 ppm and 100 ppm solutions (2 point)
3. Ammonium Electrode calibration in 10 ppm and 100 ppm solutions (2 point)

Calibration checks should be performed weekly by comparison to a grab sample or immersing the HYDRA sensor into a standard solution with known pH, K+ and NH4-N values. Performing a Single Point Calibration will eliminate any offset found in the calibration check. Continuous drifting of the potassium or ammonium ion reading may indicate the electrode needs to be replaced.

Two Point Calibration is required whenever an electrode is replaced, pH, Potassium or Ammonium. Two Point Calibrations are also recommended every two months to verify the response of the electrodes is greater than 50 mV/decade.

Rinsing the sensor with copious amount of De-ionized water or RO Water between calibrations is required. There are large amounts of potassium ions in pH buffer causing carryover.

4.10.1 AUTO CAL USING PH 4.01, 7.00, 10.00 BUFFERS

pH is indicated in the T80 Transmitter as AUX in the calibration menu.

Action	Prompt
Double Press any Button	MENU HOME, Hold is OFF
Press HOLD	Hold freezes 4-20 mA Output and locks Alarm Relays during Calibration
Press CAL	Select Sensor AUX for pH calibration.
Press AUX	Is this a new Sensor? (Yes erases CAL Log in INFO, NO adds CAL to existing Log)
Press NO	Place Sensor in CAL Solution (use pH 7.00 buffer)
Press AUTO then CAL 1	STABILIZING, 7.00 pH x.x mV, 7.00 pH corrected Accept Cal 1?
Press YES	CAL1 Value 7.00 pH, Continue to CAL2? Move sensor to 4.01 pH buffer solution
Press YES	STABILIZING, 4.00 pH xxx.x mV, 4.00 pH corrected Accept Cal?
Press YES	OFFSET: 7.00 pH x.x mV, SLOPE: -59.16 mV/pH (data written to Log)
Press OK	Calibration complete
Press HOME	Hold is ON
Press HOLD	Turn off Hold
Press EXIT	Main Display

4.10.2 STANDARDIZE pH

Leave the sensor in the process solution, take a grab sample from the process and determine the pH or place sensor in a calibration standard solution.

Action	Prompt
Double Press any Button	MENU HOME, Hold is OFF
Press HOLD	Hold freezes 4-20 mA Output and locks Alarm Relays during Calibration
Press CAL	Select Sensor AUX for pH calibration.
Press AUX	Is this a new Sensor? (Yes, erases CAL Log in INFO, NO adds CAL to existing Log)
Press NO	Place Sensor in CAL Solution (or leave in the process solution)
Press STAND	Enter Value
Press ▲ ▼ NEXT	xx.xx pH (use arrows and NEXT to enter process pH value)
Press OK	xx.xx pH, xxx.x mV, Accept Value?
Press YES	OFFSET: xx.xx pH x.x mV, SLOPE: xx.xx mV/pH (this data written to Log)
Press OK	Back to Cal Menu
Press HOME	Hold is ON (Press HOLD to turn off Hold)
Press HOLD	Turn off Hold
Press EXIT	Main Display

4.10.3 AUTO CAL USING 10ppm and 100ppm Potassium Calibration Solutions

Action	Prompt
Double Press any Button	MENU HOME, Hold is OFF
Press HOLD	Hold freezes 4-20 mA Output and locks Alarm Relays during Calibration
Press CAL	Select Sensor 2 for Potassium calibration.
Press Sensor 2	Is this a new Sensor? (Yes erases CAL Log in INFO, NO adds CAL to existing Log)
Press NO	Place Sensor in CAL Solution (use pH 7.00 buffer)
Press AUTO then CAL 1	STABILIZING, 10 ppm x.x mV, 10 ppm corrected Accept Cal 1?
Press YES	CAL1 Value 10 ppm, Continue to CAL2? Move sensor 100 ppm calibration solution
Press YES	STABILIZING, 100 ppm xxx.x mV, 100 ppm corrected Accept Cal?
Press YES	OFFSET: 10 ppm x.x mV, SLOPE: -59.16 mV/pH (data written to Log)
Press OK	Calibration complete
Press HOME	Hold is ON
Press HOLD	Turn off Hold
Press EXIT	Main Display

4.10.4 STANDARDIZE Potassium Ion

Leave the sensor in the process solution, take a grab sample from the process and determine the potassium or place sensor in a calibration standard solution.

Action	Prompt
Double Press any Button	MENU HOME, Hold is OFF
Press HOLD	Hold freezes 4-20 mA Output and locks Alarm Relays during Calibration
Press CAL	Select Sensor 2 for Potassium Calibration
Press Sensor 2	Is this a new Sensor? (Yes, erases CAL Log in INFO, NO adds CAL to existing Log)
Press NO	Place Sensor in CAL Solution (or leave in the process solution)
Press STAND	Enter Value
Press ▲ ▼ NEXT	xx.xx ppm (use arrows and NEXT to enter process concentration value)
Press OK	xx.xx ppm, xxx.x mV, Accept Value?
Press YES	OFFSET: xx.xx pH x.x mV, SLOPE: xx.xx mV/pH (this data written to Log)
Press OK	Back to Cal Menu
Press HOME	Hold is ON (Press HOLD to turn off Hold)
Press HOLD	Turn off Hold
Press EXIT	Main Display

4.10.5 AUTO CAL USING 10ppm and 100ppm Ammonium Calibration Solutions

Action	Prompt
Double Press any Button	MENU HOME, Hold is OFF
Press HOLD	Hold freezes 4-20 mA Output and locks Alarm Relays during Calibration
Press CAL	Select Sensor 1 for Ammonium calibration.
Press Sensor 1	Is this a new Sensor? (Yes erases CAL Log in INFO, NO adds CAL to existing Log)
Press NO	Place Sensor in CAL Solution (use pH 7.00 buffer)
Press AUTO then CAL 1	STABILIZING, 10 ppm x.x mV, 10 ppm corrected Accept Cal 1?
Press YES	CAL1 Value 10 ppm, Continue to CAL2? Move sensor 100 ppm calibration solution
Press YES	STABILIZING, 100 ppm xxx.x mV, 100 ppm corrected Accept Cal?
Press YES	OFFSET: 10 ppm x.x mV, SLOPE: -59.16 mV/pH (data written to Log)
Press OK	Calibration complete
Press HOME	Hold is ON
Press HOLD	Turn off Hold
Press EXIT	Main Display

4.10.6 STANDARDIZE Ammonium Ion

Leave the sensor in the process solution, take a grab sample from the process and determine the Ammonium or place sensor in a calibration standard solution.

Action	Prompt
Double Press any Button	MENU HOME, Hold is OFF
Press HOLD	Hold freezes 4-20 mA Output and locks Alarm Relays during Calibration
Press CAL	Select Sensor 1 for Ammonium Calibration
Press Sensor 1	Is this a new Sensor? (Yes, erases CAL Log in INFO, NO adds CAL to existing Log)
Press NO	Place Sensor in CAL Solution (or leave in the process solution)
Press STAND	Enter Value
Press ▲ ▼ NEXT	xx.xx ppm (use arrows and NEXT to enter process concentration value)
Press OK	xx.xx ppm, xxx.x mV, Accept Value?
Press YES	OFFSET: xx.xx pH x.x mV, SLOPE: xx.xx mV/pH (this data written to Log)
Press OK	Back to Cal Menu
Press HOME	Hold is ON (Press HOLD to turn off Hold)
Press HOLD	Turn off Hold
Press EXIT	Main Display

5.0 MAINTENANCE

No periodic maintenance is required for the ECD Model T80 Transmitter.

When you open the front cover and/or cable glands, make sure that the seals are clean and correctly fitted when the unit is re-assembled in order to maintain the housing's NEMA 4X weatherproof integrity against water and water vapor.

Fuse: There is a circuit board mounted fuse protecting the instrument. If you suspect that this needs to be replaced, contact the ECD service center for parts and instructions.

5.1 CLEANING

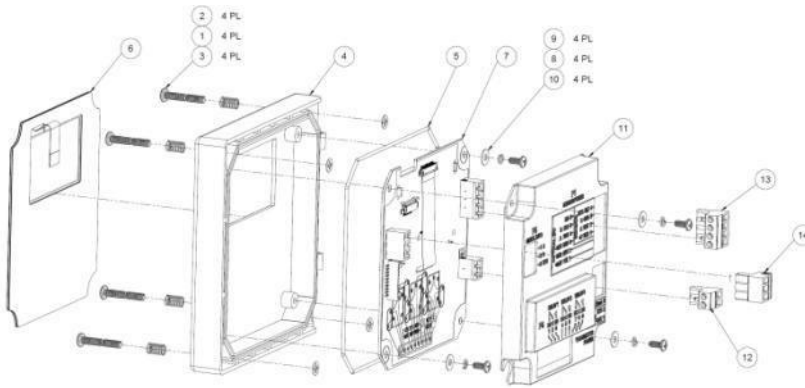
The Model T80 transmitter requires no periodic maintenance, except to make sure the front window is kept clean in order to permit a clear view of the display and allow proper operation of the navigation buttons. If the window becomes soiled, clean it using a soft damp cloth or soft tissue. To deal with more stubborn stains, a neutral detergent or spray cleaner like Windex may be used. Never use harsh chemicals or solvents.

6.0 TROUBLESHOOTING

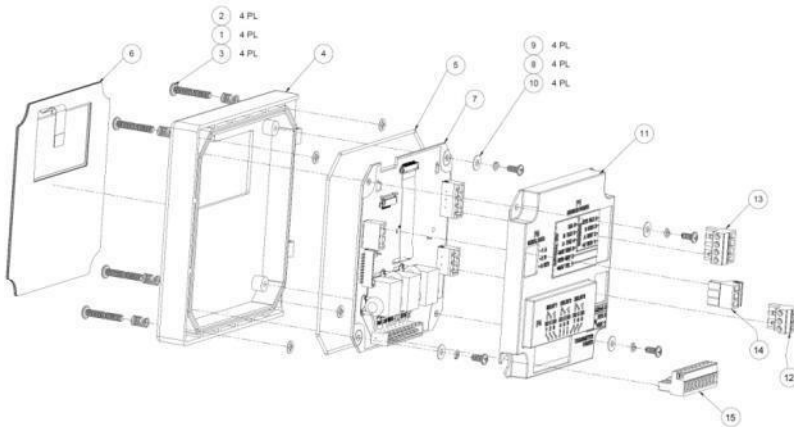
Symptom	Probable cause	Remedy
Blank Display	No Power	Check power source, 24VDC loop, 24VDC, 110/220VAC
	Sensor Failure, causing power draw down below transmitter threshold	Unplug sensor from transmitter, replace sensor if instrument powers up.
Incorrect Readings	Sensor needs calibration	Perform a standardization calibration. See INFO for calibration log
	Incorrect Temperature measurement	Calibrate/Trim Temperature to correct value
	Temperature Compensation set up incorrectly	Verify: 0.33% for pH, plon 0.00% for ORP 4.0% for DO
“Looking For Sensor” prompt	Lost connection between sensor and transmitter	Check sensor connection to transmitter, loose connector? Visually inspect cable for cuts or crushed areas, replace sensor if cable is compromised

7.0 PARTS AND ACCESSORIES

7.1 FRONT PANEL CONTROL BOARD EXPLODED

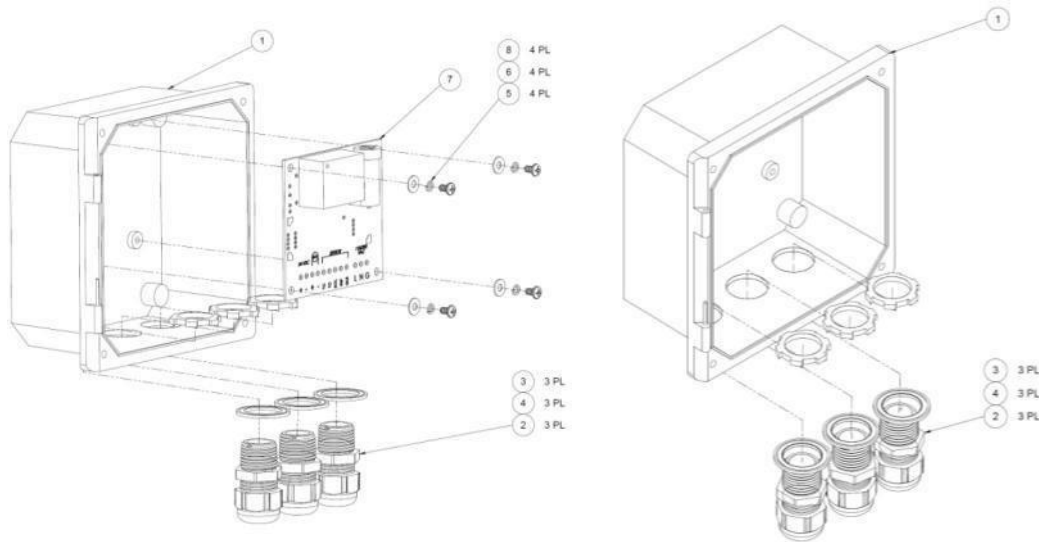


7.2 FRONT PANEL CONTROL BOARD EXPLODED, WITH RELAYS



Item #	Part #	Description
1	9630005	Spring, Mounting Screw Set
2	9870621	Retaining Washer, Mounting Screw Set
3	3600390	8-32 x 1" SS Screw, Mounting Screw Set
4	3400152	Front Housing
5	9560005	Sealing O-ring, grey silicone
6	9240503-1	Touch pad membrane
7	2101800-1	PCB, Control Board, Loop Powered
7	2101800-2	PCB, Control Board, Loop Powered, Relays
7	2101800-3	PCB, Control Board, Loop Powered, HART
8	9870650	Locking Washer, PCB Screw Set
9	9730905	6-32 x 5/16" SS Screw, PCB Screw Set
10	9870620	Flat Washer, PCB Screw Set
11	3400006-1	Control Board Cover
12	9090112	24 VDC, 4-20 mA Terminal Block/2 pins
13	9090114	Sensor Terminal Block/4 pins
14	9090113	Serial connection Terminal Block/3 pins
15	9090119	Relay Connection Terminal Block/9 pins

7.3 TRANSMITTER CASE, BACK WITH CABLE GLANDS



Item #	Part #	Description
1	3600449	Transmitter Case
2	9360005	PVC Cable Gland, ½" NPT, Grey
3	9300034	Locking Nut, ½" NPT, Steel
4	9300017	Sealing ring, ½" elastomer
5	9870650	Split Washer, PS mounting
6	9870620	Flat Washer, PS mounting
7	2101820-1	Power Supply Board
8	9730604	6-32 x ¼" screw, SS, PS mounting

7.4 REPLACEMENT PARTS

Part #	Description
2000002-1	Front Panel, Loop-Powered
2000002-2	Front Panel, AC/DC Powered
2000002-3	Front Panel, Loop-Powered, Hart Output
2101820-1	Power Supply Board, 110/220 VAC Input
2101820-3	Power Supply Board, 110/220 VAC Input, w/preamp
2101820-4	Preamp Board
3400006	Control Board Cover
9090112	Connector Plug, 2 Position (Loop, AC/DC, or Hart Versions)
9090113	Connector Plug, 3 Position (Loop or AC/DC Versions)
9090114	Connector Plug, 4 Position (Loop, AC/DC or Hart Versions)
9090119	Connector Plug, 9 Position (AC/DC Version)
9240503-1	Front Panel Membrane Switch
9300017	Sealing ring, Cable Gland
9300034	Locking Nut, Cable Gland
9360005	Fitting, Cable Gland
9830214	Screw, Front Panel

7.5 ACCESSORIES

Part #	Description
2000006	Kit, Universal Mount
2000007	Kit, Handrail Mount
2000008	Kit, Panel Mount
1000300-1	4-20 mA USB Data Logger
9130007	Replacement Battery for Data Logger
1000260-1	Sunshield for Pole Mount
1000260-2	Sunshield for Rail Mount

8.0 S80 SENSORS

S80 sensors are a family of digital sensors designed for use with ECD digital analyzers, the Model T80 transmitter. S80 sensors accept the standard ECD electrode cartridges. The S80 sensors convert the analog signals into a temperature compensated digital protocol that allows two way communications with the transmitter. The type of sensor, identity and serial number are stored in the sensor's memory along with three calibration registers. When connected to an ECD digital analyzer the sensor's information is uploaded to the analyzer configuring the displays and outputs to the values appropriate to the sensor's measured parameter. Connect an S80 pH sensor to a Model T80 Transmitter and the Transmitter configures itself into a calibrated pH transmitter.

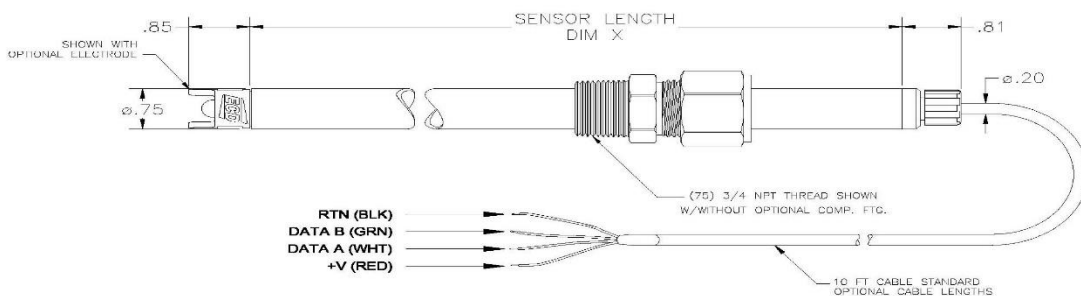
The internal components of the S80 sensors, the signal conditioner, temperature sensor and cable assembly are epoxy encapsulated inside the $\frac{3}{4}$ " O.D. housing. Epoxy encapsulation of the components increases the reliability of the sensor by eliminating failures caused by wiring and connector breakage. The S80 sensors use the same easily replaceable electrode cartridges as the S10 and S17 sensor assemblies.

8.1 S80 INSTALLATION

Four typical installation configurations are available for ECD sensors: insertion, immersion, flow-through and valve-retraction. Although there are many ways to accomplish these mounting configurations, ECD recommends the following installation configurations.

8.1.1 INSERTION

The S80 sensor is installed using a $\frac{3}{4}$ " MNPT compression fitting with choice of nylon, Teflon or 316 SS ferrule. The $\frac{3}{4}$ " MNPT can be inserted into a pipe Tee or through a tank wall, the S80 is then inserted through the fitting and compression gland is tightened to secure the sensor in place. The torque specification for the gland fitting is 20-ft/lbs. Over-tightening of the nut may swage the nylon or Teflon ferrules to the housing crushing the internal sensor components.



8.1.2 IMMERSION

The $\frac{3}{4}$ " MNPT compression fitting is reversed and threaded into an extension/immersion pipe so the compression gland is facing the measurement end of the sensor. Feed the cable through the immersion tube, insert the S80 sensor at least 5" into the tube and tighten the sensor in place.

8.1.3 FLOW THROUGH

Although the insertion configuration can be used as a flow-through mounting by inserting the S80 sensor into a pipe tee, ECD has various flow cells available for convenience. The flow cells are 2.0" diameter by 5" long, ported ½" FNPT through and ¾" FNPT for the sensor. The flow cells are available in 316 Stainless Steel, PVC and Kynar. Use of the flow cell can facilitate an optional spray cleaning nozzle for the electrode. Connecting 40+ psi of water or air to the nozzle will remove particulate materials or biofilms from the sensor tip. Detergents or solvents can be used to remove greases or oils from the sensor while acids can be used for hard water scale.

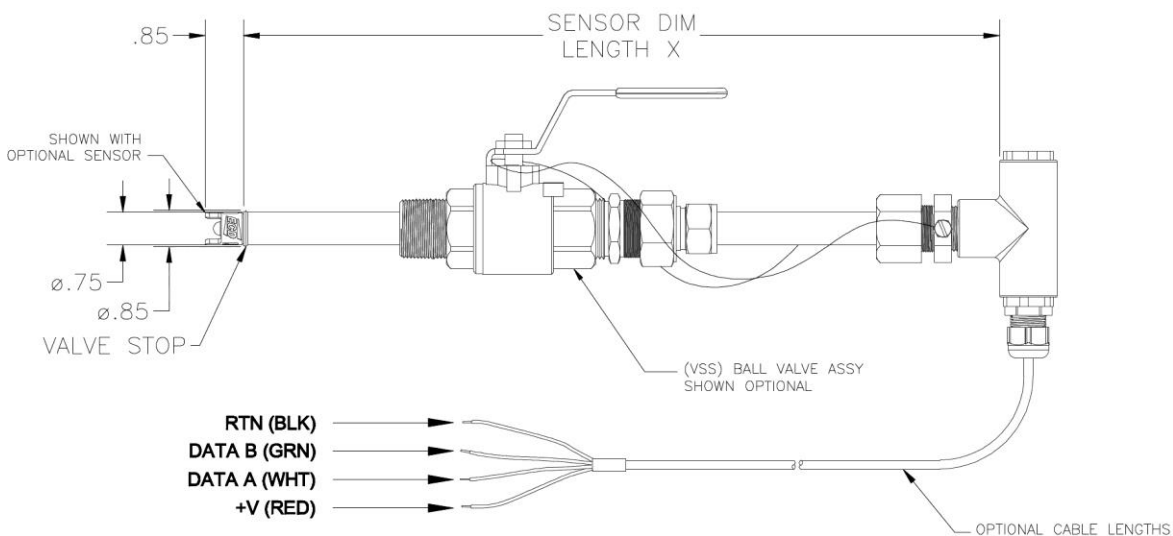
8.1.4 VALVE RETRACTABLE

The S80 sensor is optionally designed for valve retraction service, (-1) Sensor Style. Mounting is directly into a process line or through a tank wall. The ball valve system allows the sensor to be removed from service without shutting down the line or emptying the tank. ECD recommends the valve-retraction mounting for ease of maintenance or in applications where the process line cannot be shut down and the pressure does not exceed 100 psig.

To remove the sensor from the valve assembly refer to the following directions:

CAUTION: Do not put hands or fingers between the safety lanyard cables and any part of the sensor. Use the external cable seal/handle to pull or guide the sensor through the valve.

1. Loosen the small swage nut at the rear of the fitting assembly slowly as this compression fitting is holding the sensor in place. **CAUTION** the sensor may snap back quickly if it is under pressure. (do not remove the nut from the body of the fitting).
2. Slide the sensor to its stop by pulling it through the ball valve. The safety lanyards will be extended, confirming that the sensor is fully retracted. Note: the safety lanyards are redundant protection; the sensor will come to a stop when the high pressure stop reaches the front of the retainer fitting.
3. Close the ball valve.
4. Remove the **handle retaining nut** and the valve handle.
5. Remove the **safety lanyards** from the valve stem.
6. For the stainless steel ball valves, loosen and remove the large **retainer nut** from the **retainer fitting**. For Kynar ball valves, loosen and remove the union nut on the sensor side of the ball valve.
7. Firmly pull the **retainer fitting** from the valve. The sensor will be removed with the fitting.



8.1.5 FLANGE FITTINGS

Flange mountings can be accomplished with the insertion and valve-retraction configurations using the desired flange and by mounting the gland fitting or valve-retraction assembly to the flange.

8.2 S80 PART NUMBER CONFIGURATOR

S80 sensors are available in five measurement types, (-0) a millivolt style for pH, ORP and ion selective measurements, (-1) dissolved oxygen style, (-2) contacting conductivity style, (-3) inductive conductivity style and (-4) resistivity style. Each style is available in a variety of materials and insertion lengths.

S80 Digital Sensor	
	Measurement Type
	-0 S80 Digital Sensor, pH, ORP, pION measurement
	-1 S80 Digital Sensor, Dissolved Oxygen measurement
	-2 S80 Digital Sensor, Contacting Conductivity, 1µS to 50 mS
	-3 S80 Digital Sensor, Inductive Conductivity, 50 mS to 1000 mS
	-5 S80 Diagnostic Sensor, pH, ORP, pION measurement SENTINEL S80 Sensor
	-6 S80 Digital sensor, ppb Dissolved Oxygen
	-7 S80 Digital Sensor, Resistivity
	Sensor Style
	0 Insertion Style (Standard)
	1 Valve Retractable Style with flanged blow out protector
	Housing Material
	-0 Stainless Steel, ¾" O.D., (Standard)
	-1 Titanium, ¾" O.D.
	-2 Hastelloy, ¾" O.D.
	-5 Polypropylene, 1" O.D.
	-9 Other Material, Consult with Factory
	Housing Length
	0 10" length
	1 17" length
	2 24" length
	3 30" length
	4 36" length
	Process Connection
	00 No Fitting or Valve Assembly
	01 (75) ¾" MNPT SS Fitting with Nylon Ferrule
	02 (75HT) ¾" MNPT, 316 SS gland, Teflon ferrule
	03 (75SF) ¾" MNPT, 316 SS gland, SST ferrule
	04 (75HC) ¾" MNPT, Hastelloy gland, Teflon ferrule
	05 (75TT) ¾" MNPT, Titanium gland, Teflon ferrule
	06 (75PP) ¾" MNPT, All Polypropylene gland fitting
	07 (75K) ¾" MNPT, All Kynar gland Fitting
	08 (75TFE) ¾" MNPT, All Teflon gland fitting
	29 Other Fittings, Consult Factory
	30 (VSS) 1" NPT 316 Stainless Steel Valve Retraction Assembly, nylon
	31 (VSSHT) 1" NPT 316 Stainless Steel Valve Retraction Assembly, Teflon
	32 (VSSE) 1" NPT 316 Stainless Steel Valve Retraction Assembly Toroidal
	33 (VHC) 1" NPT Hastelloy Valve Retraction Assembly
	34 (VTT) 1" NPT Titanium Valve Retraction Assembly
	36 (VPP) 1" NPT All Poly Propylene Valve Retraction Assembly
	37 (VKY) 1" NPT All Kynar Valve Retraction Assembly
	59 Other Assemblies, Consult Factory
	80 1/1.5" Sanitary Flange, 316ss, Viton o-rings, nylon ferrule
	81 2" Sanitary Flange, 316ss, Viton o-rings, nylon ferrule
	82 2 ½" Sanitary Flange, 316ss, Viton o-rings, nylon ferrule
	99 Other Fittings, Consult Factory
	Detachable Cable Connector
	0 None
	1 Straight (axial) Connector
	2 Right Angle Connector

									Cable Length	
									-0 No Cable (Detachable Cable Version only)	
									-1 10 ft. (Standard)	
									-2 20 ft.	
									-3 30 ft.	
									-4 40 ft.	
									-5 50 ft.	
									-A 100 ft.	
									"T" Handle	
									0 No "T" Handle	
									1 (T) "T" Style handle with Lanyards for Valve Retractable	
									2 (TP) "T" Style handle, 3/8" polypro fitting (1000096)	
									3 (TS) "T" Style handle, 3/8" stainless steel fitting (1000098)	
									4 (TN) "T" Style handle, 1" Nylon fitting (1000104)	
									5 (TD) 3/4" Tee for INSERTION w/ Detachable Conn (2000092)	
									6 (TDV) 3/4" Tee for VALVE w/ Detachable Conn (2000166)	
									7 (1TD) 1" Tee for INSERTION w/ Detachable Conn (2000119)	
									8 (1TDV) 1" Tee for VALVE w/ Detachable Conn (2000118)	
									O-rings Guard & Fittings	
									0 Viton Any/All	
									1 HF Viton Cond Guard	
									2 EPR Cond Guard	
									3 Kalrez Cond Guard	
									4 CV75 Cond Guard	
									5 HF Viton Valve & Fitting	
									6 EPR Valve & Fitting	
									7 Kalrez Valve & Fitting	
									9 CV-75 Valve & Fitting	
									A HF Viton Grd & Val & Fit	
									B EPR Grd & Val & Fit	
									C Kalrez Grd & Val & Fit	
									D CV-75 Grd & Val & Fit	
S80	-0	0	-0	0	01	-0	1	1		0

8.3 TRITON® DO82 SENSORS

DO82 Dissolved Oxygen Sensor					
	Sensor Style				
	-0	(I) Immersion Style Sensor - 3/4" MNPT Mounting Thread			
	-1	(IM) Immersion Style Sensor - G1 thread Mounting Thread			
	-2	(F) Flow Cell and Sensor - 3/4" FNPT entries			
	-3	(FM) Flow Cell and Sensor - 1" Slip entries			
		Spray Cleaner			
		00	No Spray Cleaner		
		01	(SC) Spray Cleaner		
		02	PVC Compression Fitting, DO82 to 1 1/4" MNPT		
			Cable Style		
		-0	Fixed Cable		
		-1	(DA) Axially Detachable Cable		
			Cable Length		
			00	No Cable	
			10	10 ft (3 meters)	
			20	20 ft (6.1 meters)	
			30	30 ft (9.1 meters)	
			40	40 ft (12.2 meters)	
			50	50 ft (15.2 meters)	
			X0	Specify Length	
DO82	-1	00	-1	10	

8.4 TRITON® TR86 SENSORS (For TR80 Refer to TR80 Manual, For TR82 Refer to TR82 Manual)

TR86 Turbidity Suspended Solids Sensor				
	Optical Style			
	1	Front Mounted Optics, for use with Immersion assembly		
	2	Side Mounted Optics, for use with Immersion assembly		
	3	Side Mounted Optics, for use with Flow Through Cell		
	Process Connection			
	0	None		
	1	1" MNPT Nylon Gland Fitting		
	2	Flow Through Cell, 2 x 2" FNPT entries, 1 x 1" FNPT sensor port		
	Cable Type and Length			
	01	10 ft (3.0 meters)	(Waterproof/Submersible Cable Style)	
	02	20 ft (6.1 meters)	(Waterproof/Submersible Cable Style)	
	03	30 ft (9.1 meters)	(Waterproof/Submersible Cable Style)	
	04	10 ft (3.0 meters)	(Water Resistant Cable Style)	
	05	20 ft (6.1 meters)	(Water Resistant Cable Style)	
	06	30 ft (9.1 meters)	(Water Resistant Cable Style)	
	Measurement Range			
	0	0-250 NTU and 0-1000 NTU		
1	0-500 NTU and 0-2000 NTU			
2	0-1000 NTU and 0-4000 NTU			
3	0-2000 NTU and 0-4000 NTU			
TR86	3	2	01	1

8.3 S80 SENSOR MAINTENANCE

All electrochemical sensors require periodic cleaning and/or replacement. The life of an electrode is dependent on the process conditions it is exposed to, a pH electrode may last a year or longer in potable water and only a few weeks in a hot caustic bath. The chemical constituents in the process may coat the electrode surfaces requiring the electrode to be removed and cleaned or replaced.

Cleaning agents should be specific to the type of coating, detergents and alcohols for removing greases and oils, acids for removing hard water scales and metallic deposits or spray washing for flocculants and biofilms.

8.3.1 ELECTRODE CARTRIDGE INSTALLATION

Unless ordered separately, electrode cartridges are generally shipped installed in a sensor. Sensors ordered without an electrode are shipped with a shipping plug to keep contamination from getting inside the sensor during shipment or storage. The following procedure explains how to install the electrode cartridge in the sensor assembly:

1. Remove the shipping plug by turning it counterclockwise.
2. Remove the electrode cartridge from the protective soaker boot. *Be careful not to flex the electrode body while removing the tape and the protective boot.*
3. Rinse the electrode tip in tap water and wipe the electrode body dry then lubricate the o-ring seals with the included lubricant. *Save the protective soaker boot in the event the electrode must be stored at a future time.*
4. Carefully insert the electrode cartridge into the sensor assembly by turning until **hand tight**. The first o-ring, closest to the front of the electrode, will be slightly visible if held horizontally.

NOTE: IF EXCESS FORCE IS REQUIRED DURING ELECTRODE INSTALLATION, CHECK FOR PROPER THREAD ENGAGEMENT OR FOR AN OBSTRUCTION.

8.3.2 ELECTRODE CARTRIDGE REPLACEMENT

Periodic replacement of the electrode cartridge is required for pH, ORP and Specific Ion sensors. The following procedure explains how to replace the electrode cartridge in the sensor assembly:

1. Remove the electrode cartridge from the front of the sensor assembly by turning it counterclockwise.
2. For installation procedure follow steps 2, 3, and 4 in section 8.3.1 electrode cartridge installation.

8.3.3 ELECTRODE CLEANING

An important aspect of sensor maintenance is the service of the electrode cartridge. After being in operation, an electrode may begin to exhibit slow response or non-reproducible measurements. This may be due to coating of the measurement electrode or clogging of the reference junction. Regular electrode cleaning reduces problems associated with the coating and clogging. Frequency of cleaning will depend on the process and application. The following procedures are used to clean pH and ORP electrodes.

If possible, the electrode should be cleaned without removing it from the sensor body. However, if the electrode must be removed, the o-rings must be inspected and re-lubricated. See section 3.10.

8.3.4 PH ELECTRODE CARTRIDGE CLEANING

Remove the sensor from the process and carefully wash the wetted end of the electrode cartridge in a mild solution of detergent and water or with methyl alcohol. If the electrode response is not improved, soak the electrode in 0.1 Molar HCl for 5 minutes. Remove and rinse the electrode with tap water and soak in 0.1 Molar NaOH for 5 minutes.

Remove the electrode from the NaOH solution, rinse the electrode and soak in a 4 pH buffer solution for 10 minutes. This should improve the response of the electrode. If not, replace the electrode.

If the electrode must be left out of the process for an extended period of time, store it in a solution of water saturated with KCl or a 4.0 pH buffer solution. *ECD does not recommend the storage of electrodes in distilled or deionized water.*

8.3.5 ORP ELECTRODE CARTRIDGE CLEANING

Cleaning the platinum surface to remove coating can be done using an abrasive cleaner like 600-800 grit wet/dry sand paper or chemical reagents specific for the type of coating. Abrasive cleaning is the most common method of cleaning and is usually sufficient to restore the platinum surface; however, some processes can form a hard coating requiring chemical cleaning with a strong acid solution. Acid solutions greater than 10% are not recommended.

8.3.6 ION ELECTRODE CARTRIDGE CLEANING

Ion selective electrodes require periodic service. Weekly checks should be performed to assure the accuracy of the measurement.

The ion selective crystal that senses the ion concentration can become sluggish in response due to coating or reactions with the process solution. Periodic cleaning or polishing will minimize drift and maintain the sensors response.

CLEANING

The solid state crystal based electrodes, bromide, chloride, copper, cyanide, fluoride, silver, sulfide are fairly robust and can be cleaned with alcohols, detergents or dilute acids to remove coatings caused by greases, oils or films. A soft tooth brush or paper towel should be used to remove stubborn coatings. Do not clean with a wire brush. Metal carryover from the brush will compromise the measurement. Cleaning should be followed by polishing before calibrating the sensor.

The PVC membrane sensors, Ca^{++} , K^+ , NH_4^+ , NO_3^- are fragile membranes and should be cleaned using a soft artist style paint brush while rinsing with a stream of water. Dilute dish washing detergents can be used to remove oily films. Solvents or strong acid/alkaline solution will irreparably harm the electrode.

Calibration may be necessary after cleaning.

POLISHING

Abrasive polishing is only recommended for the solid state crystal style Combination Electrodes. ECD supplies two styles of abrasive cleaning kits, a package of light blue colored polishing strips or a small vial of 0.3 micron alumina powder with Q-tips with the fluoride electrodes.

The sensing surface of solid state electrodes can wear over time, which causes drift, poor reproducibility and loss of response in low level samples. The electrode can be restored by polishing the sensing surface with a polishing kit. The polishing kit can also be used if the sensing surface has been etched or chemically poisoned.

Fluoride Electrodes

- a. Moisten the end of the Q-tip with water and dip it in the alumina polishing powder to pick up a small amount of the powder.
- b. Rub the polishing powder onto the fluoride crystal in a circular motion and moisten the tip if necessary to produce a liquid consistency more than a paste.
- c. Polish the electrode for about 30 seconds and examine the tip for a shiny surface, repeat if necessary.
- d. Rinse the electrode with distilled water and soak the electrode in a low ppm Calibration solution for a few minutes.
- e. Perform a Two Point Calibration.

Other Solid State electrodes, Bromide, Cadmium, Chloride, Copper, Lead, Sulfide, Silver...

- a. Place a few drops of distilled water on the blue polishing strip to wet the polishing surface.
- b. Hold the electrode with the sensing surface facing up.
- c. Slide the polishing strip back and forth across the electrode tip, the sensing tip will be abraded and a new electrode surface will be generated.
- d. Polish the electrode for about 30 seconds and examine the tip for a shiny surface, repeat if necessary.
- e. Rinse the electrode with distilled water and soak the electrode in a low ppm Calibration solution for a few minutes.
- f. Perform a Two Point Calibration.

8.3.7 DISSOLVED OXYGEN CARTRIDGES

The Teflon membrane of the Dissolved Oxygen sensors is fragile and should be cleaned using a soft cloth or an artist style paint brush while rinsing with a stream of water. Dilute dish washing detergents can be used to remove oily films. Solvents are not recommended as they could diffuse through the membrane and harm the electrode. Strong acid/alkaline solutions should not harm the electrode but should only be used as a last resort before replacing the electrode.

8.3.8 TRITON DO82 DISSOLVED OXYGEN

The Triton DO82 sensor should receive maintenance on a regular basis. The maintenance interval should be determined empirically as it will depend on the installation conditions and the nature of the media being measured. The interval should be no greater than every two months.

Maintenance Procedure

The typical procedure would include;

- Cleaning the sensor
- Check the measuring function:
 - Remove the sensor from the medium.
 - Clean and dry the sensor/membrane.
 - After about 10 minutes in air, measure the oxygen saturation index (without recalibration).
 - The measured value should be at 100 ± 4 % SAT
- If necessary, replace a defective membrane or one which cannot be cleaned any more.
- Recalibration, if necessary.

Cleaning the Sensor

The fluorescence cap of the Triton DO82 sensor must be clean to ensure an accurate measurement. The measurement will degrade as the fluorescence cap gets coated. Build-up of material on the cap will increase the response time and decrease the slope. The sensor should be cleaned on a regular basis and before every calibration.

***** Do Not Scrub the Sensing Portion of the Cap with any abrasive material, use only a soft sponge or cloth and water to clean the tip*****

The cleaning method depends on the nature of the coating. For insoluble mineral or salt deposits, the sensor should be soaked in a 1-5 % solution of HCl, hydrochloric acid, for no more than 10 minutes. After this acid treatment rinse the sensor with copious amounts of tap water and then allow it to soak in the tap water for at least 5 minutes before evaluating the performance. Repeat if necessary.

For biological films or dirt, rinse the tip with tap water and gently wipe the sensing surface with a soft sponge or cloth.

Cleaning Internal Optics

The internal optical surface should only need cleaning if the Fluorescence Cap is broken or defective. The following steps should be followed in the case of a leaking cap.

1. Unscrew the protective guard and the fluorescence cap from the sensor head.
2. Carefully clean the optical surface with a soft cloth and water until the buildup is fully removed.
3. Use only drinking or distilled water to clean the optics, do not scratch the optical surface.
4. Dry the optics with a soft lint free cloth and screw on a new fluorescence cap.

8.3.8.1 Replacing the Fluorescent Cap

The Fluorescence Cap (P/N 2500207) can provide up to and greater than two years service, if damaged or when it expires, it is easily replaced.

Removing the Old Fluorescence Cap

- Remove the sensor from the medium.
- Unscrew the protection guard.
- Clean the outside of the sensor.
- Unscrew the fluorescence cap.
- Clean and dry the optical surface if necessary.

Installing the New Fluorescence Cap

- Make sure that there are no dirt particles on the sealing surface.
- Visually inspect the sealing o-ring, replace if necessary. (P/N 1000225)
- Carefully screw the fluorescence cap onto the sensor head until the stop.
- Screw the protection guard back on.

***** After replacing the Fluorescence Cap the sensor must be calibrated. *****

8.3.9 TRITON TR86 TURBIDITY (For TR80 and TR82 Refer to TR80 and TR82 Manual)

The TR86 turbidity sensors don't require periodic service except in coating applications. Quarterly checks should be performed to assure the accuracy of the measurement.

The TR86 response can become sluggish due to coating from materials in the process solution. Periodic cleaning will minimize drift and maintain the sensors response.

CLEANING

The most important maintenance item is keeping the optically clear epoxy window clean. The TR86 turbidity sensors are fairly robust and can be cleaned with alcohols, detergents or dilute acids to remove coatings caused by greases, oils or films. **Do not use solvents such as MEK, Toluene, Acetone, or trichloroethylene on TR86 sensors.** A soft tooth brush or paper towel should be used to remove soft coatings. A Scotch Brite scouring pad works well for most types of stubborn window fouling. First wet the pad and then place it on a counter with a plastic-laminate top so that the side of the pad is aligned with the edge of the counter. Work the window of the TR86 sensor back and forth on the pad until it is clean while removing as little epoxy as possible. If encrusting organisms such as barnacles or tube worms have attached to the sensor, it will have to be gently scraped with a flexible knife blade prior to using the pad.

POLISHING

Some applications will result in pitting of the sensor face. Pits can be removed with abrasive cloth. Polish the sensor window as follows:

- 1) Tape a strip of 400 grit wet-or-dry abrasive cloth to the edge of a counter.
- 2) Add a few drops of water to the abrasive and work the sensor window in smooth one-way strokes on the cloth using the counter edge as a guide.
- 3) Continue until the sensor is shiny and pit free.

It is **important to remove as little epoxy as possible.**

8.3.10 CONDUCTIVITY AND RESISTIVITY SENSORS

Cleaning agents should be specific to the type of coating, detergents or alcohols for removing greases and oils, acids for removing hard water scales and metallic deposits or spray washing with water and a soft brush for flocculants and biofilms.

Resistivity sensors rarely need cleaning due to the nature of the measurement. If cleaning is necessary or the sensor has been in service for greater than two years follow the instructions listed below.

Rinse the sensing end with alcohol, methanol, ethanol or isopropyl will work fine.

Soak for 5 minutes in a dilute nitric acid solution, a 3.5% solution is made by a 20:1 dilution of concentrated Nitric Acid (5 ml HNO₃ in 100ml of water).

Then rinse thoroughly with tap water and soak in distilled water for 5-10 minutes.

8.4 S80 SENSOR SPECIFICATIONS

Dimensions:

S80 - ¾"OD x 10" Length, optional lengths, 17", 24", 30", 36" in 6" increments to 8 ft.

Cable Length:

10 ' standard, Optional lengths in 10 ' increments

4 conductors shielded

Housing Materials:

Standard, 316 Stainless Steel, Optional, Titanium (T), grade 2, Hastelloy (H), C-22, PVDF (K),

O-Ring Materials:

Viton™ (VIT), Standard, Ethylene Propylene (EPR), Optional, Fluoro-silicone (FSIL), Optional, Silicone (SIL),
Optional, KALREZ™ (KLZ), Optional, CV75 (CV), Optional

Process Connections:

-75 ¾" 316 SS gland fitting with nylon ferrule

-75PP ¾" poly propylene gland fitting with ferrule

-75SF ¾" 316 SS gland fitting with stainless steel ferrule

-75TFE ¾" Teflon™ gland fitting with Teflon™ ferrule

-100 1" Teflon™ glands fitting for PVDF housing only

-VSS 1" 316 SS valve retraction assembly

-VKY 1" PVDF valve retraction assembly

Shipping Weight:

S80 2.5 lbs (1.2 kg)

S80 with VSS 5.8 lbs (2.65 kg)

8.4.1 PH ELECTRODES

Part#	Description	pH Range	Temperature	Max. Pressure
2005005-HPW	High Purity Water, RADEL Body, dbl jct TFE Ref, Full bulb pH glass,	2-12 pH	-10°-90°C	150 psig
2005145	General Purpose, RADEL body, dbl jct TFE Ref, Flat pH glass,	0-14 pH	-10°-90°C	150 psig
2005146	General Purpose, PEEK body, dbl jct ceramic Ref, Flat pH glass,	0-14 pH	-10°-90°C	150 psig
2005148	Non aqueous service, RADEL body, dbl jct TFE Ref, Flat pH glass,	0-14 pH	-10°-90°C	150 psig
2005157	Hi Temp/ Hi pH, PEEK body, dbl jct TFE Ref, Hemi pH glass,	0-14 pH	0°-130°C	150 psig
2005059	Recessed Bulb, RADEL Body, dbl jct TFE Ref, Hemi pH glass,	0-14 pH	-10°-90°C	150 psig
2005066	Chemical Resistant, PEEK body, triple jct TFE Ref, Flat pH glass,	0-14 pH	0°-130°C	150 psig
2005169	Chemical Resistant, PEEK body, dbl jct TFE Ref, Hemi pH glass,	0-14 pH	0°-130°C	150 psig
2005130	Sulfide Resistant, PEEK body, triple jct TFE Ref, Hemi pH glass,	0-14 pH	0°-130°C	150 psig
2005150	Solvent Resistant, PEEK body, dbl jct TFE Ref, Flat pH glass,	0-14 pH	-10°-90°C	150 psig

2005103	Fluoride resistant, Peek body, Rugged pH glass, dbl jct TFE Ref,	0-14 pH	-10°-90°C	150 psig
2005013	pH, antimony, RADEL body, TFE junction	3-10 pH	10°-50°C	150 psig
2005111	Extended Life, RADEL body, TFE junction, Flat Glass	0-14	10°-50°C	150 psig

8.4.2 ORP ELECTRODES

Part#: 2005167 (2005367 SENTINEL)
 ORP sensor: Platinum
 Construction: PEEK body,
 Reference Electrode: double porous Teflon junction
 Measurement Range: -1500 mV - +1500 mV
 Temperature Range: -10° - 80°C
 Pressure Range: 150 psig

8.4.3 DISSOLVED OXYGEN

Part#: 2005622
 2 mil Teflon membrane
 Galvanic cell: Silver/Lead
 Construction: PEEK body,
 Measurement Range: 0-20 ppm
 Temperature Range: -10° - 130°C
 Pressure Range: 30 psig

8.4.4 AMMONIUM ELECTRODE

Part #: 2005083 (2005383 SENTINEL)
 ISE sensor: PVC membrane
 Construction: Radel (PES) body,
 Reference Electrode: double porous Teflon junction
 Measurement range: 0.05 - 18,000 ppm
 pH Range: 2-10 pH
 Temperature Range: 0° - 40°C
 Pressure Range: 50 psig
 @25°C

8.4.5 BROMIDE ELECTRODE

Part #: 2005062 (2005362 SENTINEL)
 ISE sensor: solid state AgS/AgBr membrane
 Construction: Radel (PES) body,
 Reference Electrode: double porous Teflon junction
 Measurement range: 0.1 - 80,000 ppm
 pH Range: 2-12 pH
 Temperature Range: 0°-50°C
 Pressure Range: 50 psig
 @25°C

8.4.6 CADMIUM ELECTRODE

Part #: 2005140 (2005340 SENTINEL)
 ISE sensor: solid state CdS membrane
 Construction: Radel (PES) body,
 Reference Electrode: double porous Teflon junction
 Measurement range: 100 ppb – 11,200 ppm

pH Range: 3 - 9 pH
Temperature Range: 0°-80°C
Pressure Range: 50 psig
@25°C

8.4.7 CALCIUM ELECTRODE

Part #: 2005043 (2005343 SENTINEL)
ISE sensor: PVC membrane
Construction: Radel (PES) body,
Reference Electrode: double porous Teflon junction
Measurement range: 0.1 - 40,000 ppm
pH Range: 2.5 - 10 pH
Temperature Range: 0°-40°C
Pressure Range: 50 psig
@25°C

8.4.8 CHLORIDE ELECTRODE

Part #: 2005008 (2005308 SENTINEL)
ISE sensor: solid state AgS/AgCl membrane
Construction: Radel (PES) body,
Reference Electrode: double porous Teflon junction
Measurement range: 2 - 35,000 ppm
pH Range: 2-12 pH
Temperature Range: 0°-80°C
Pressure Range: 50 psig
@25°C

8.4.9 CUPRIC ELECTRODE

Part #: 2005058 (2005358 SENTINEL)
ISE sensor: solid state CuS membrane
Construction: Radel (PES) body,
Reference Electrode: double porous Teflon junction
Measurement range: 1 ppb – 6,300 ppm
pH Range: 2 - 8 pH
Temperature Range: 0°-80°C
Pressure Range: 50 psig
@25°C

8.4.10 CYANIDE ELECTRODE

Part #: 2005042 (2005342 SENTINEL)
ISE sensor: solid state AgS/AgCN membrane
Construction: Radel (PES) body,
Reference Electrode: double porous Teflon junction
Measurement range: 0.1- 260 ppm
pH Range: 11-13 pH
Temperature Range: 0°-80°C
Pressure Range: 50 psig
@25°C

8.4.11 FLUORIDE ELECTRODE

Part #: 2005163 (2005363 SENTINEL)
ISE sensor: solid state LaF crystal
Construction: PEEK body,
Reference Electrode: double porous Teflon junction

Measurement range: 0.02 - 2,000 ppm
pH Range: 5-8 pH
Temperature Range: 0°- 80°C
Pressure Range: 50 psig
@25°C

8.4.12 LEAD ELECTRODE

Part #: 2005141 (2005341 SENTINEL)
ISE sensor: solid state PbS membrane
Construction: Radel (PES) body,
Reference Electrode: double porous Teflon junction
Measurement range: 2 ppm – 20,700 ppm
pH Range: 4 - 8 pH
Temperature Range: 0°-80°C
Pressure Range: 50 psig
@25°C

8.4.13 POTASSIUM ELECTRODE

Part #: 2005034 (2005334 SENTINEL)
ISE sensor: PVC membrane
Construction: Radel (PES) body,
Reference Electrode: double porous Teflon junction
Measurement range: 0.1- 40,000 ppm
pH Range: 2-12 pH
Temperature Range: 0°-40°C
Pressure Range: 50 psig
@25°C

8.4.14 SILVER ELECTRODE

Part #: 2005016 (2005316 SENTINEL)
ISE sensor: solid state AgS membrane
Construction: PEEK body,
Reference Electrode: double porous Teflon junction
Measurement range: 0.1-107,000 ppm
pH Range: 2-14 pH
Temperature Range: 0°-80°C
Pressure Range: 50 psig
@25°C

8.4.15 SODIUM ELECTRODE

Part #: 2005031 (2005331 SENTINEL)
ISE sensor: Sodium selective Glass membrane
Construction: PEEK body,
Reference Electrode: double porous Teflon junction
Measurement range: 0.2 - 23,000 ppm
pH Range: 2-14 pH (pH must be 3 units higher than pNa)
Temperature Range: 0°-80°C
Pressure Range: 75 psig @25°C

8.4.16 SULFIDE ELECTRODE

Part #: 2005122 (2005322 SENTINEL)
ISE sensor: solid state AgS membrane
Construction: PEEK body,
Reference Electrode: double porous Teflon junction

Measurement range: 0.01 - 32,000 ppm

pH Range: 11-14 pH

Temperature Range: 0°-80°C

Pressure Range: 50 psig

@25°C

8.4.17 TRITON® DO82

Measurement Range:	0 - 20 mg/l (0 - 20 ppm) 0 - 200 % Saturation 0 - 400 mbar (0 - 6 psi)
Pressure Range:	Maximum Pressure 10 bar (159 psi)
Temperature Range:	-5° - 50°C (20° - 120°F) Measuring -20° - 60°C (0° - 140°F) Ambient
Response Time:	T90 = 60 sec
Accuracy:	Max. Error < 2 % of measured range
Repeatability:	±0.5 % of measured range
Resolution:	0.01 ppm or 0.01 % Saturation
Operating Lifetime of Sensor Cap:	Up to 2 years in recommended service, typically > 1 year
Wetted Materials:	316 SS, POM, PVC, Silicone
Sensor Cable:	4 Conductor shielded available in 10ft increments
Process Connection:	G1 Thread (¾" FNPT adapter available)
Maximum Cable Length:	100 m maximum
Dimensions:	Length 8.7" (220 mm), Diameter 1.6" (40 mm)

8.4.18 TRITON® TR86 (For TR80 or TR82 refer to TR80 or TR82 manuals)

Measuring principle:

Particle caused back scattering of 850 nm near infrared light with sunlight rejection filter

Measuring Range:

-1 Sensor

0.0 ... 250.0 NTU, FNU & 0 ... 1000 NTU, FNU

-2 Sensor

0.0 ... 500.0 NTU, FNU & 0 ... 2000 NTU, FNU

-3 Sensor

0 ... 1000 NTU, FNU & 0 ... 4000 NTU, FNU

-4 Sensor

0 ... 2000 NTU, FNU & 0 ... 4000

NTU, FNU ppm, mg/L and %solids to equivalent NTU value

Accuracy:

2% of reading or 0.5 NTU, whichever is larger

Process Temperature Range:

-5 ... 50°C

Temperature Compensation:

Internal Temperature compensation

Process pressure range:

50 psi maximum in Flow Cell

500meter submersion depth (50 bar, 725 psi)

Vacuum operation is not permitted

Drift:

< 1% / month

Wetted Materials

Sensor body: stainless steel (316)

Sensing end: epoxy

Process Connection:

1" NPT Nylon compression fitting

Electrical connection

Waterproof 5-wire measuring cable or

4 Conductor shielded available in 10ft increments

Cable Length:


10ft. (3.0 m), 20ft (6.1 m), 30ft (9.1 m) cables

APPENDIX

A. AUTO CAL BUFFER TABLES

°C	pH	pH	pH
0	4.00	7.115	10.32
5	4.00	7.085	10.25
10	4.00	7.06	10.18
15	4.00	7.04	10.12
20	4.00	7.015	10.06
25	4.005	7.00	10.01
30	4.015	6.985	9.97
35	4.025	6.98	9.93
40	4.03	6.975	9.89
45	4.045	6.975	9.86
50	4.06	6.97	9.83
55	4.075	6.97	
60	4.085	6.97	
65	4.10	6.98	
70	4.13	6.99	
75	4.14	7.01	
80	4.16	7.03	
85	4.18	7.05	
90	4.21	7.08	

B. T80 HART MENU

T80 Root Menu						
1 DEVICE SETUP 	DEVICE SETUP	CALIBRATION				
	1 CALIBRATION	1 AUTO				
		2 STANDARDIZE				
		3 MANUAL				
		4 TEMP				
	2 BASIC SETUP	CONFIG				
		1 XMTR	XMTR CONFIG	1 ANALOG	1 SCALE	ANALOG SCALE
						1 UPPER
			2 LOWER			
			2 PID		PID CONFIG	
					1 P Term	
					2 I Term	
			3 CALIBRATE	CALIBRATE		
				1 Zero cal		
				2 Gain cal		
	2 ALARMS		ALARM CONFIG	3 Save		
		1 Alrm 1 thresh				
		2 Alrm 1 hyst				

				3 Alm 1 dly on	
				4 Alm 1 dly off	
				5 Alm 2 thresh	
				6 Alm 2 hyst	
				7 Alm 2 dly on	
				8 Alm 2 dly off	
				9 Alm 3 thresh	
				10 Alm 3 hyst	
				11 Alm 3 dly on	
				12 Alm 3 dly off	
			3 Address		
		2 Device information	DEVICE INFORMATION		
			1 Distributor		
			2 Model		
			3 Dev ID		
			4 Cfg chng count		
			5 Tag		
			6 Long tag		
			7 Date		
			9 Descriptor		
			10 Message		
			11 Final asbly num		
	3 INFORMATION	INFORMATION			
		1 XMTR	XMTR INFO		
			1 Serial #		
			2 FW Rev		
			3 HW Rev		
			4 Fld dev rev		
		2 SENSOR	SENSOR INFO		
			1 Serial #		
			2 FW Rev		
			3 HW Rev		
		3 DEVICE	DEVICE INFORMATION		
			1 Distributor		
			2 Model		
			3 Dev ID		
			4 Cfg chng count		
			5 Tag		
			6 Long tag		
			7 Date		
			9 Descriptor		
			10 Message		
			11 Final asbly num		
2 PV					
3 Temperature					
4 Output %					
5 Sensor Name					

D.MODBUS RTU REGISTER LISTING

03 (0x03) READ HOLDING REGISTERS

This function code is used to read the contents of a contiguous block of holding registers in a remote device. The Request Protocol Data Unit specifies the starting register address and the number of registers. In the Protocol Data Unit Registers are addressed starting at zero. Therefore registers numbered 1-16 are address as 0-15.

The register data in the response message are packed as to bytes per register, with the binary contents right justified within each byte. For each register, the first byte contains the high order bits and the second contains the low order bits.

Request

Modbus ID (Slave Address)	1 Byte	1 to 247 (0x01 to 0xF7)
Function code	1 Byte	0x03
Starting Address	2 Bytes	0x0000 to 0xFFFF
Quantity of Registers	2 Bytes	1 to 125 (0x01 to 0x7D)
CRC	2 Bytes	calculated

Response

Modbus ID (Slave Address)	1 Byte	1 to 247 (0x01 to 0xF7)
Function code	1 Byte	0x03
Byte Count	1 Byte	2 X N*
Register Value(s)	*N X 2 Bytes	
CRC	2 Bytes	calculated
*N = Quantity of Registers		

Error

Modbus ID (Slave Address)	1 Byte	1 to 247 (0x01 to 0xF7)
Error Code	1 Byte	0x86
Exception Code	1 Byte	01, 02, 03 or 04
CRC	2 Bytes	calculated

06 (0x06) WRITE SINGLE REGISTER

This function code is used to write a single holding register in a remote device.

The Request Protocol Data Unit specifies the address of the register to be written. Registers are addressed starting at zero. Therefore register number 1 is addressed as 0.

The normal response is an echo of the request, returned after the register contents have been written.

Request

Modbus ID (Slave Address)	1 Byte	1 to 247 (0x01 to 0xF7)
Function code	1 Byte	0x06
Register Address	2 Bytes	0x0000 to 0xFFFF
Register Value	2 Bytes	0x0000 to 0xFFFF
CRC	2 Bytes	calculated

Response

Modbus ID (Slave Address)	1 Byte	1 to 247 (0x01 to 0xF7)
Function code	1 Byte	0x06
Register Address	2 Bytes	0x0000 to 0xFFFF

Register Value	2 Bytes	0x0000 to 0xFFFF
CRC	2 Bytes	calculated

*N = Quantity of Registers

Error

Modbus ID (Slave Address)	1 Byte	1 to 247 (0x01 to 0xF7)
Error Code	1 Byte	0x86
Exception Code	1 Byte	01, 02, 03 or 04
CRC	2 Bytes	calculated

REGISTERS

Per the Modbus Application Protocol Specification (V1.1b)

Name	Meaning (2 bytes each register)	Number of Registers	Return Data Format	Read Write	Requires Storage Initiate	Register #	
						dec	hex
Modbus ID (slave address)	Defined as 1 to 247 per the Modbus Application Protocol Specification (V1.1b)	1	16 bit Integer	RW		0	00
Data Format	Data Format of the User Bus to the T80 (0-DF8N2, 1-DF8O1, 2-DF8E1, 3-DF8N1)	1	16 bit Integer	RW		1	01
Baud Rate	Baud Rate of the User Bus to the T80 (0-1200, 1-2400, 2-4800, 3-9600)	1	16 bit Integer	RW		2	02
BusMessage	total message count detected by the slave (remote device)	1	16 bit Integer	R		3	03
BusCommunicationsError	total CRC error count	1	16 bit Integer	R		4	04
SlaveExceptionError	total count of exceptions detected	1	16 bit Integer	R		5	05
SlaveMessage	total messages addressed to the slave (remote device)	1	16 bit Integer	R		6	06
SlaveNoResponse	total count of messages not responded to by the slave (remote device)	1	16 bit Integer	R		7	07
SlaveNAK	total Negative Acknowledges returned by slave (remote device)	1	16 bit Integer	R		8	08
SlaveBusy	total count of "slave busy" was returned for an address message	1	16 bit Integer	R		9	09
BusCharacterOverrun	count of messages that couldn't be handled due to character over-run condition	1	16 bit Integer	R		10	0A
Reset all Modbus Error Counters	Resets all of the Modbus Error counters (defined in Modbus spec) to 0, Write any value.	1	16 bit Integer	W		11	0B
Product T80 Model Number (Modbus)	The Model Number of the Unit polled	1	16 bit Integer	R		12	0C
T80 Serial Number (hi word)	Unit Serial Number (32 bit integer hi word, bytes 3 and 2)	2	32 bit Long Integer	R		13	0D
T80 Serial Number (lo word)	Unit Serial Number (32 bit integer lo word, bytes 1 and 0)					14	0E
T80 Mode	Unit operating mode (1-Startup, 2-Sensor Search, 3-Operate)	1	16 bit Integer	R		15	0F
T80 Fault Status	Unit Fault flags, bit defined	1	16 bit Integer	R		16	10
T80 2nd Fault Status	Unit Fault flags (2nd word reserved, currently not used)	1	16 bit Integer	R		17	11
T80 Warning Status	Unit Warning flags, bit defined	1	16 bit Integer	R		18	12
T80 2nd Warning Status	Unit Warning flags (2nd word reserved, currently not used)	1	16 bit Integer	R		19	13
T80 FW Rev	Firmware revision of the Control BD in ASC, ex. " 1".	1	16 bit Integer	R		20	14
Relay Number to read/write	Relay number to access data (0 - Relay 1, 1 - Relay 2, 2 - Relay 3)	1	16 bit Integer	RW		21	15
Relay Type	Read/Write Relay Type (0 - Fault Type, 1 - Alarm Type, 2 - Disabled, 3 - Timed)	1	16 bit Integer	RW	Y	22	16

Relay ON Setpoint (hi word)	Read/Write Relay ON Setpoint (byte 3 and byte 2)	2	32 bit Floating Point	RW	Y	23	17
Relay ON Setpoint (lo word)	Read/Write Relay ON Setpoint (byte 1 and byte 0)					24	18
Relay OFF Setpoint (hi word)	Read/Write Relay OFF Setpoint (byte 3 and byte 2)	2	32 bit Floating Point	RW	Y	25	19
Relay OFF Setpoint (lo word)	Read/Write Relay OFF Setpoint (byte 1 and byte 0)					26	1A
Relay ON Delay (hi word)	Read/Write Relay turn on Delay time (byte 3 and byte 2)	2	32 bit Floating Point	RW	Y	27	1B
Relay ON Delay (lo word)	Read/Write Relay turn on Delay time (byte 1 and byte 0)					28	1C
Relay OFF Delay (hi word)	Read/Write Relay turn off Delay time (byte 3 and byte 2)	2	32 bit Floating Point	RW	Y	29	1D
Relay OFF Delay (lo word)	Read/Write Relay turn off Delay time (byte 1 and byte 0)					30	1E
Relay Energized State	Read/Write Relay 0 - Energized, 1 - De-Energized	1	16 bit Integer	RW	Y	31	1F
Relay Expiration	Read/Write Expiration Time, used with alarm type (0 - None, 2 - 5min., 3 - 10min., 4 - 15min., 6 - 30min.)	1	16 bit Integer	RW	Y	32	20
Relay Period	Read/Write Timed Relay Period (0 - 15min., 1 - 30min., 2 - 1hr., 3 - 2hr., 4 - 4hr., 5 - 8hr., 6 - 24hr.)	1	16 bit Integer	RW	Y	33	21
Relay Duration	Read/Write Timed Relay Duration (0 - 15sec., 1 - 30sec., 2 - 1min., 3 - 2min., 4 - 5min., 5 - 15min., 6 - 10min.)	1	16 bit Integer	RW	Y	34	22
Relay Hold Time	Read/Write Timed Relay Hold Time (0 - Off, 1 - held for the duration time, 2 - duration + 15sec., 3 - duration + 30sec., 4 - duration + 1min., 5 - duration + 2min., 6 - duration + 5 min., 7 - duration + 15min., 8 - duration + 30min.)	1	16 bit Integer	RW	Y	35	23
4-20 mA Channel Number to read/write	4-20 mA channel number to access data (0 - 1st 4-20mA, 1 - 2nd 4-20)	1	16 bit Integer	RW	Y	36	24
4-20 Analog Type	Read/Write 4-20 Type (0 - Range, 1 - Temperature, 2 - Sentinel)	1	16 bit Integer	RW	Y	37	25
4-20 Analog Range, 4mA range (hi word)	Read/Write 4mA range (bytes 3 and 2) applies to both range and temperature types	2	32 bit Floating Point	RW	Y	38	26
4-20 Analog Range, 4mA range (lo word)	Read/Write 4mA range (bytes 1 and 0) applies to both range and temperature types					39	27
4-20 Analog Range, 20mA range (hi word)	Read/Write 4mA range (bytes 3 and 2) applies to both range and temperature types	2	32 bit Floating Point	RW	Y	40	28
4-20 Analog Range, 20mA range (lo word)	Read/Write 4mA range (bytes 1 and 0) applies to both range and temperature types					41	29
Long Tag Line number to read/write	Tag Line number to access data (0 - Line 1, 1 - Line 2)	1	16 bit Integer	RW	Y	42	2A
Long Tag Line 1 (16 characters max)	ASCII character bytes 0 and 1, ex. "AB" A - 65 (41 hexadecimal), B - 66 (42 hex), send 6566 (4142 hex). The characters permitted are space ' ' (32 base 10, 20 hex) through '}' 125 base 10, 7D hex).	1	16 bit Integer	RW	Y	43	2B
Long Tag Line	ASCII bytes 2 and 3	1	16 bit Integer	RW	Y	44	2C
Long Tag Line	ASCII bytes 4 and 5	1	16 bit Integer	RW	Y	45	2D
Long Tag Line	ASCII bytes 6 and 7	1	16 bit Integer	RW	Y	46	2E
Long Tag Line	ASCII bytes 8 and 9	1	16 bit Integer	RW	Y	47	2F
Long Tag Line	ASCII bytes 10 and 11	1	16 bit Integer	RW	Y	48	30
Long Tag Line	ASCII bytes 12 and 13	1	16 bit Integer	RW	Y	49	31
Long Tag Line	ASCII bytes 14 and 15	1	16 bit Integer	RW	Y	50	32
Initiate T80 Parameter Storage	Signals the user has completed entering the data and wants it stored. Write any value.	1	16 bit Integer	RW		51	33
Sensor Channel to read/write	Sensor channel number to access data (0 - Sensor 1, 1 - Sensor 2)	1	16 bit Integer	RW		52	34
S80 Mode	Unit operating mode (0-	1	16 bit Integer	R		53	35

S80 Serial Number (hi word)	Unit Serial Number (32 bit integer hi word)	2	32 bit Long Integer	R		54	36
S80 Serial Number (lo word)	Unit Serial Number (32 bit integer lo word)					55	37
S80 Fault Status		1	16 bit Integer	R		56	38
S80 Sensor Type	Specific S80 sensor type (see S80 Sensor Types tab)	1	16 bit Integer	R		57	39
S80 Sensor Chemical Type	Specific chemicals the S80 is set to detect (see S80 Sensor Types tab)	1	16 bit Integer	RW	Y	58	3A
S80 Max Range (hi word)	Max sensor range (bytes 3 and 2)	2	32 bit Floating Point	R		59	3B
S80 Max Range (lo word)	Max sensor range (bytes 1 and 0)					60	3C
S80 Min Range (hi word)	Min sensor range (bytes 3 and 2)	2	32 bit Floating Point	R		61	3D
S80 Min Range (lo word)	Min sensor range (bytes 1 and 0)					62	3E
S80 Sensor Value (hi word)	Current sensor value (bytes 3 and 2)	2	32 bit Floating Point	R		63	3F
S80 Sensor Value (lo word)	Current sensor value (bytes 1 and 0)					64	40
S80 Sensor Voltage (hi word)	Corresponding sensor voltage to the sensor value (byte 3 and byte 2)	2	32 bit Floating Point	R		65	41
S80 Sensor Voltage (lo word)	Corresponding sensor voltage to the sensor value (byte 1 and byte 0)					66	42
S80 Sensor Temperature (hi word)	Sensor Temperature (bytes 3 and 2)	2	32 bit Floating Point	R		67	43
S80 Sensor Temperature (lo word)	Sensor Temperature (bytes 1 and 0)					68	44
S80 Sensor is a Sentinel	Sensor is a Sentinel Type (0 - No, 1 - Yes)	1	16 bit Integer	R		69	45
S80 Sentinel Life %	% of Sensor life remaining	1	16 bit Integer	R		70	46
S80 Sentinel Vs (hi word)	Scaled Sentinel Voltage (in mV) normalized to Vo (bytes 3 and 2)	2	32 bit Floating Point	R		71	47
S80 Sentinel Vs (lo word)	Scaled Sentinel Voltage (in mV) normalized to Vo (bytes 1 and 0)					72	48
S80 Sentinel Vo (hi word)	Sentinel 100% value (in mV) on the life relative to 0V (bytes 3 and 2)	2	32 bit Floating Point	RW	Y	73	49
S80 Sentinel Vo (lo word)	Sentinel 100% value (in mV) on the life relative to 0V (bytes 1 and 0)					74	4A
S80 Sentinel Range (hi word)	Sentinel Range (bytes 3 and 2)	2	32 bit Floating Point	RW	Y	75	4B
S80 Sentinel Range (lo word)	Sentinel Range (bytes 1 and 0)					76	4C
Sensor Full Name (18 characters max)	ASCII character bytes 0 and 1, ex. "AB" A - 65 (41 hexadecimal), B - 66 (42 hex), send 6566 (4142 hex). The characters permitted are space ' ' (32 base 10, 20 hex) through '}' 125 base 10, 7D hex).	1	16 bit Integer	RW	Y	77	4D
Sensor Full Name	ASCII bytes 2 and 3	1	16 bit Integer	RW	Y	78	4E
Sensor Full Name	ASCII bytes 4 and 5	1	16 bit Integer	RW	Y	79	4F
Sensor Full Name	ASCII bytes 6 and 7	1	16 bit Integer	RW	Y	80	50
Sensor Full Name	ASCII bytes 8 and 9	1	16 bit Integer	RW	Y	81	51
Sensor Full Name	ASCII bytes 10 and 11	1	16 bit Integer	RW	Y	82	52
Sensor Full Name	ASCII bytes 12 and 13	1	16 bit Integer	RW	Y	83	53
Sensor Full Name	ASCII bytes 14 and 15	1	16 bit Integer	RW	Y	84	54
Sensor Full Name	ASCII bytes 16 and 17	1	16 bit Integer	RW	Y	85	
Sensor Abbreviated Name (8 characters max)	ASCII character bytes 0 and 1, ex. "AB" A - 65 (41 hexadecimal), B - 66 (42 hex), send 6566 (4142 hex). The characters permitted are space ' ' (32 base 10, 20 hex) through '}' 125 base 10, 7D hex).	1	16 bit Integer	RW	Y	86	56
Sensor Abbreviated Name	ASCII bytes 2 and 3	1	16 bit Integer	RW	Y	87	57

Sensor Abbreviated Name	ASCII bytes 4 and 5	1	16 bit Integer	RW	Y	88	58
Sensor Abbreviated Name	ASCII bytes 6 and 7	1	16 bit Integer	RW	Y	89	59
Initiate S80 Storage	Signals the user has completed entering the data and wants it stored. Write any value.	1	16 bit Integer	W		90	5A
Cal log number to read	Cal log number to read (0 - Cal Log 1, 1 - Cal Log 2, 2 - Cal Log 3)	1	16 bit Integer	RW		91	5B
S80 Cal Log slope (hi word)	(bytes 3 and 2)	2	32 bit Floating Point	R		92	5C
S80 Cal Log slope (lo word)	(bytes 1 and 0)					93	5D
S80 Cal Log offset (hi word)	(bytes 3 and 2)	2	32 bit Floating Point	R		94	5E
S80 Cal Log offset (lo word)	(bytes 1 and 0)					95	5F
S80 Cal Log offset Voltage (hi word)	(bytes 3 and 2)	2	32 bit Floating Point	R		96	60
S80 Cal Log offset Voltage (lo word)	(bytes 1 and 0)					97	61

FAULT STATUS

Bit #	bit meaning
0	Memory Error, either a Program Flash, RAM or NVM RAM checksum error has occurred
1	Input Voltage Out Of Tolerance
2	The On Board +12V is Out of Tolerance
3	The On Board +3.3V is Out of Tolerance
4	The Transmitter has lost communication link with the Sensor
5	There is no Sensor connected
6	Sensor Calibration Failed
7	Relay 1 on-time expired
8	Relay 2 on-time expired
9	Relay 3 on-time expired
10	Sentinel Error (useable life has expired)
11	Sentinel Poisoned
12	Membrane Error
13	NU
14	NU
15	NU

WARNING STATUS

Bit #	bit meaning
0	The Sensor has changed from previously connect Sensor
1	Not Used (NU)
2	NU
3	NU
4	NU
5	NU
6	NU
7	NU
8	NU
9	NU
10	NU
11	NU
12	NU
13	NU
14	NU
15	NU

SENSOR TYPE

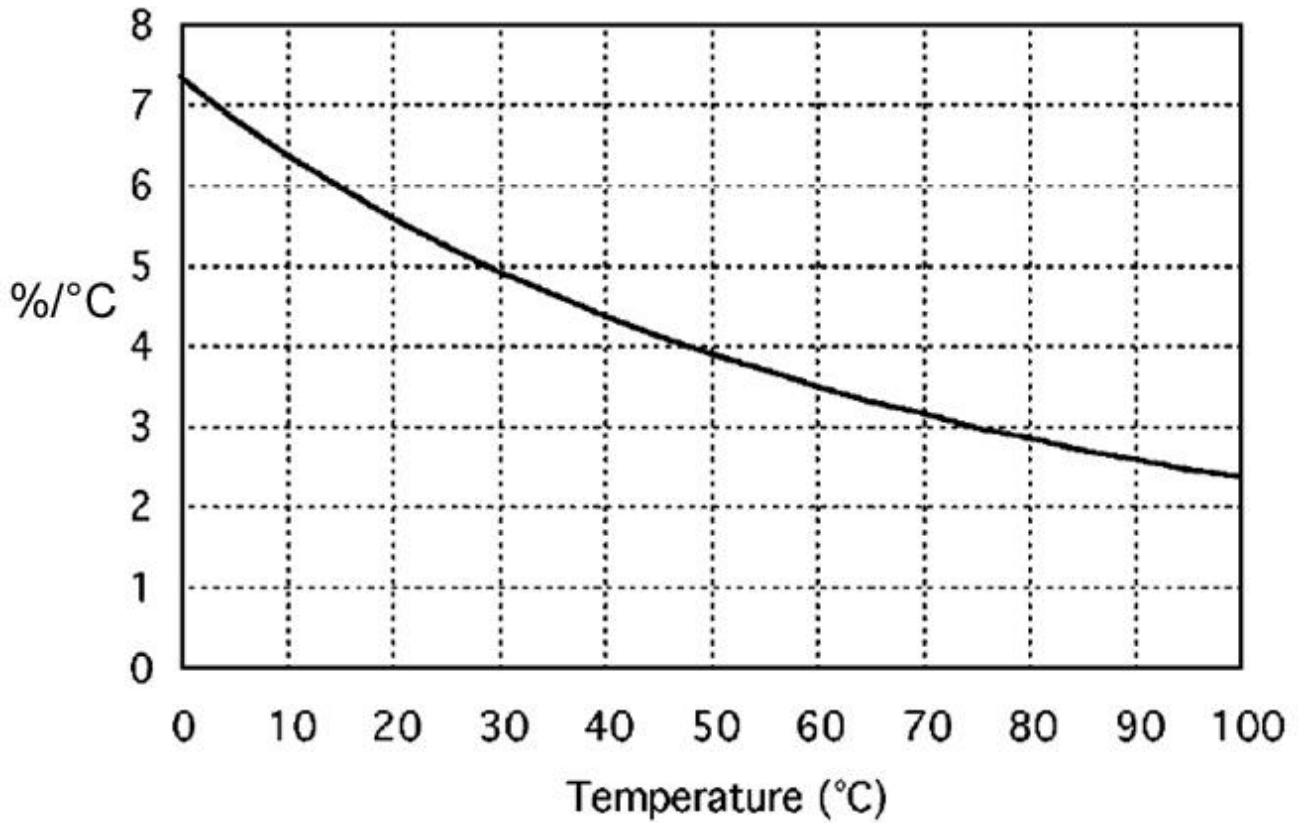
Data		Meaning		
Decimal	Hexadecimal	Chemical	Sensor Type	Measurement Units
0	0000	Unknown Chemical	None	None
1	0001	Ammonia	mV	ppm
2	0002	Ammonium	mV	ppm
3	0003	Bromide	mV	ppm
4	0004	Calcium	mV	ppm
5	0005	Chloride	mV	ppm
6	0006	Conductivity	Conductivity	S
7	0007	Cupric	mV	ppm
8	0008	Cyanide	mV	ppm
9	0009	DO	mV	ppm
10	000A	DO	mV	% saturation
11	000B	DO	mV	mg/L
12	000C	Fluoride	mV	ppm
13	000D	Hardness (CaCO ₃)	mV	ppm
14	000E	Nitrate	mV	ppm
15	000F	ORP	mV	mVa
16	0010	pH	mV	none
17	0011	Potassium	mV	ppm
18	0012	Resistivity	Conductivity	Ohm (W)
19	0013	Silver	mV	ppm
20	0014	Sodium	mV	ppm
21	0015	Sulfide	mV	ppm
22	0016	Turbidity	TR Series	FNU
23	0017	Turbidity	TR Series	NTU
24	0018	Turbidity	TR Series	ppm
25	0019	Turbidity	TR Series	mg/L
26	001A	Turbidity	TR Series	% solid
27	001B	DO	DO82	ppm
28	001C	DO	DO82	% saturation
29	001D	DO	DO82	mg/L
30	001E	Calcium	mV	mg/L
31	001F	TDS	Conductivity	ppm
32	0020	Nitrite	mV	ppm
33	0021	TCA (max range)	TCA	mg/L
34	0022	TCA (min range)	TCA	mg/L
35	0023	FCA (max range)	FCA	mg/L
36	0024	FCA (min range)	FCA	mg/L
37	0025	FCA HR	FCA	mg/L
38	0026	Resistivity	Resistivity	ohm

39	0027	Conductivity	Conductivity	S
40	0028	PAA (mid range)	PAA	mg/L
41	0029	Lead	mV	mg/L
42	002A	Salinity	Conductivity	PSU
43	002B	Ozone (min range)	OZ	mg/L
44	002C	Ozone (max range)	OZ	mg/L
45	002D	HP (low range)	HP	mg/L
46	002E	HP (high range)	HP	mg/L
47	002F	HP (low percent)	HP	%
48	0030	HP (high percent)	HP	%
49	0031	Hardness	mV	Gr
50	0032	H2SO4 (low percent)	H2SO4	%
51	0033	H2SO4 (mid percent)	H2SO4	%
52	0037	H2SO4 (max percent)	H2SO4	%
53	0035	PAA (low range)	PAA	mg/L
54	0036	PAA (max range)	PAA	mg/L
55	0037	Nickel	mV	mg/L
56	0038	NaOH	Conductivity	%
57	0039	FCL (max range)	FCL	mg/L
58	003A	Cadmium	mV	mg/L
60	003B	NH4 as N	mV	mg/L
61	003C	CLO2 Low	mA	mg/L
62	003D	CLO2 High	mA	mg/L

E. RESISTIVITY TEMPERATURE COMPENSATION

The temperature coefficient of pure water changes with concentration and temperature. The graph below shows the % change per °C for 18.2 MΩ water. For the range of 20°- 40°C the mean value is -5% per °C, this is the default value set in the Model T80. The temperature coefficient of 10 MΩ water drops to a mean value of -2.6%. The standard Resistivity temperature coefficient of -2.0%/°C is valid for all values below 1.0 MΩ water.

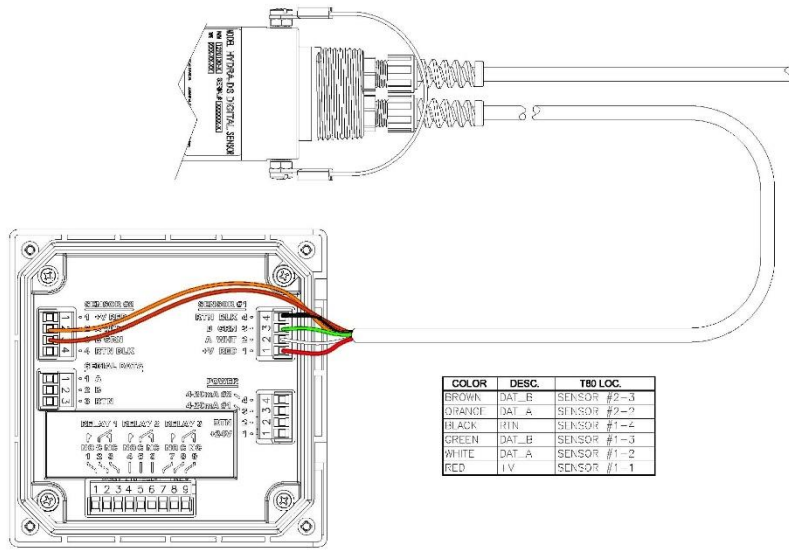
The Temperature Coefficient is set in CONFIG→SENSOR→T COMP→-5.000%



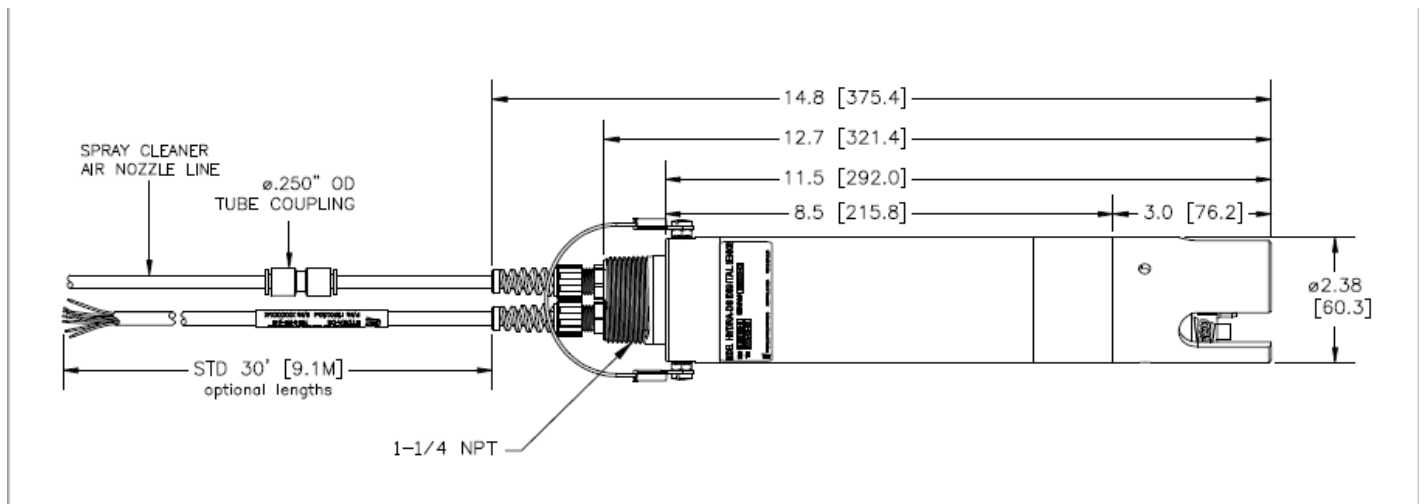
F. SOFTWARE HISTORY

Date	Version	Changes
July 2012	Rev. A	Initial Release
Feb. 2013	Rev. B	Conductivity Resistivity specifications added
June 2013	Rev. C	TRITON® DO82 and TR86 added
July 2013	Rev. D	Conductivity Calibrations added
July 2013	Rev. E	MODBUS Register update
May 2014	Rev. F	2 Channel addition, MODBUS Register update
July 2014	Rev. G	Resistivity Calibrations added
August 2014	Rev. H	S80 Table corrected
August 2014	Rev. I	Icons deleted

G.Ammonium Hydra-DS



Wiring Diagram Ammonium Hydra-DS



Ammonium Hydra-DS Dimensions