

SE Series Retractable Housing



ELECTRO-CHEMICAL DEVICES

Features

- Allows quick and easy removal of probes from sanitary process without compromising sterility.
- Once retracted, two rinse connection ports allow cleaning, calibration and sterilization of the probe while in the retraction chamber.
- Includes a retraction interlock key to ensure the probe is properly retracted before servicing.
- Fits standard 12 mm x 120 mm pH probes and 12 mm x 120 mm Polarographic DO sensors.
- Process contact parts made of FDA approved materials (316L stainless steel and EPDM or Viton®)



Model 1000205-1
Retraction Assembly

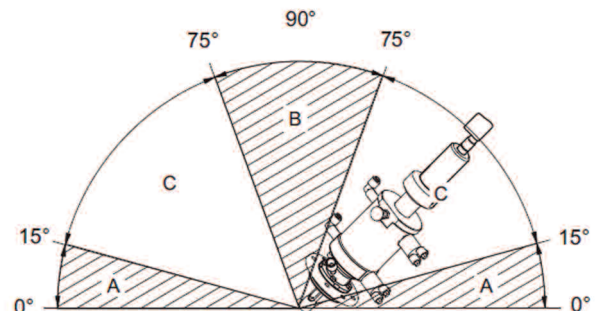
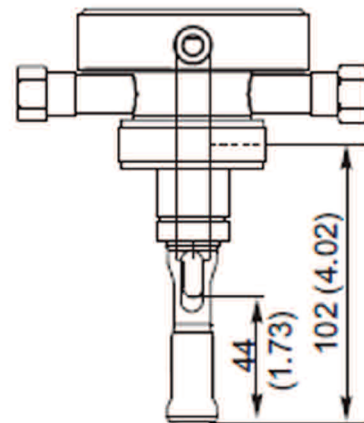
Description

The SE Series Retractable Assembly provides easy access to the measuring electrode improving the reliability of pH and ORP measurements. The assembly has been designed as a sterilizable retractable assembly for foodstuffs, biotechnology, pharmaceutical and other process applications with high demands on sanitation and hygiene. Without interrupting the process you can perform the following operations on the electrode:

- Remove it from the process and into the rinse chamber
- Rinse with water or cleaning solution
- Keep wet during operation pauses
- Replace the electrode
- Sterilize
- Calibrate

The assembly is designed for installation on tanks and pipes. When using standard glass electrodes, only installation positions in which the middle axis of the assembly lies at an angle between 15° and 75° from the horizontal are permitted (see diagram). If the angle of the installation position is above 75° from the horizontal, air bubbles can accumulate in the chamber.

- A. Not Recommended Installation Angle
- B. Permissible Angle (air bubbles can build up in the chamber)
- C. Recommended Installation Angle



SE Series Retractable Housing

Specifications

Process Temperature Range:

0-135 °C (32-275 °F)

Process Pressure Range:

0 - 10 bar (0-147 psig)

Electrode Immersion Depth:

Up to 65 mm (2.6") depending upon process connection style

Electrode length:

pH electrodes: 120 mm

Dissolved oxygen sensor: 120 mm

Wetted Materials

Electrode holder:

316L stainless steel, Ra= 0.4µm or better

Seals:

EPDM, Viton®

Lubricant: PARALIQ® GTE 703

(mineral oil-free grease with USDA-H1 approval)

Process connections:

Ingold® style cap union nut

Housing:

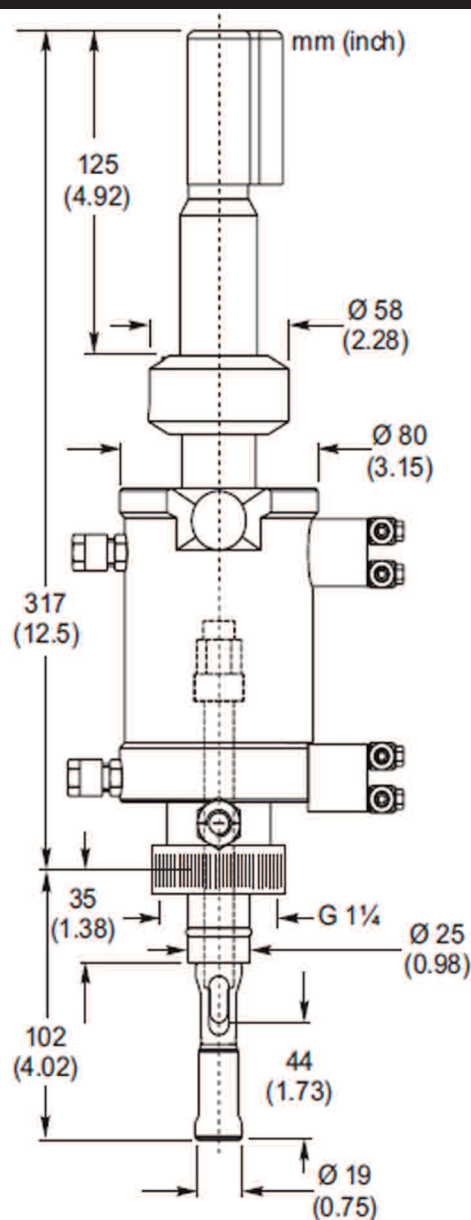
Stainless Steel

Rinse / flush connections:

Size ¼" FNPT

Rinse pressure:

2-6 bar (29-88 psig)



Part No.	Parts Description
1000205-1	SE Series Electrode Retraction Assembly
2005212-2	pH electrode, double junction reference, S8 connector cap, 120 mm length
2005412-2	Dissolved Oxygen electrode galvanic/polarographi, SE 120 mm Insertion S8 connector
2000297-1	EPDM O-ring kit
2000298-1	Viton® O-ring kit

Specifications subject to change without notice.

Represented by:

Electro-Chemical Devices

1681 Kettering
Irvine, California, USA 92614

Phone: +1-949-336-6060

+1-800-729-1333

Fax: +1-949-336-6064

email: sales@ecdi.com

web: www.ecdi.com



SE Retractable B0813