



Features

- 4-20mA current loop measurement range
- Logging rates between 1s and 12hr
- Stores 32,510 readings
- Connection via two screw terminals
- USB interface for set-up and data download
- User-programmable alarm thresholds
- Status indication via red and green LEDs
- Supplied with replaceable internal lithium battery and Windows control software



*Model 1000300-1
4-20 mA Datalogger*

Description

This stand alone data logger measures and stores up to 32,000 current loop readings over a 4-20mA measurement range. The user can easily set up the logging rate and start time, and download the stored data by plugging the data logger into a PC's USB port and running the purpose designed software under Windows 2000, XP, Vista & 7. The data can then be graphed, printed and exported to other applications. The data logger is supplied complete with a long-life lithium battery. Correct functioning of the unit is indicated by a flashing red and green LED. The data logger features a pair of screw terminals and is supplied complete with a set of measurement leads terminating in crocodile clips.

EL-WIN-USB (CONTROL SOFTWARE)

Lascar's EasyLog USB control software is supplied free of charge with each data logger. Easy to install and use, the control software runs under Windows 2000, XP, Vista & 7. The software is used to set-up the data logger as well as download, graph and

export data to Excel. The software allows the following parameters to be configured:

- Logger name
- Logging rate (1s, 10s, 1m, 5m, 30m, 1hr, 6hr, 12hr)
- High and low alarms
- Start date and start time

LED FLASHING MODES

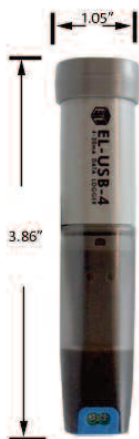
EL-USB-4 features a red and a green LED.

By default hold is disabled. In this mode the red LED will no longer continue to flash after the logged reading has

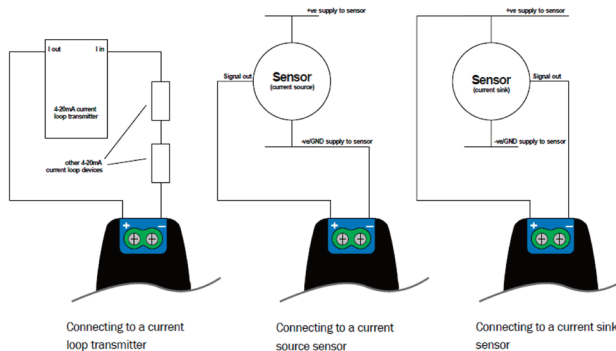
returned to normal from an alarm condition.

Hold can be turned on via the control software. In this mode the red LED that indicates an alarm condition will continue to flash, even after the logged reading has returned to normal. This feature ensures that the user is notified that an alarm level has been exceeded, without the need to download the data from the logger.

4-20 mA USB Datalogger



CONNECTION AND APPLICATIONS



LED Flashing Modes

	Green single flash (10 seconds) The data logger is currently logging. No alarm.		Red double flash (10 seconds) The data logger is currently logging. High alarm.
	Green single flash (20 seconds) The data logger is currently logging. However, the battery is low and should be replaced before logging important data.		Red single flash (20 seconds) The data logger is currently logging. Low alarm. However, the battery is low and should be replaced before logging important data.
	Green single flash (30 seconds) The data logger is not currently logging, but is primed to start at a later date and time (delayed start).		Red double flash (20 seconds) The data logger is currently logging. High alarm. However, the battery is low and should be replaced before logging important data.
	Green double flash (20 seconds) The data logger is full and has stopped logging. No alarm.		Red/Green single flash (20 seconds) The data logger is full and has stopped logging. Alarm (high, low or both).
	Red single flash (10 seconds) The data logger is currently logging. Low alarm.		No LEDs flash The data logger is stopped, the battery is empty or there is no battery fitted.

Specification	Minimum	Typical	Maximum	Units
0-40 mA d.c. measurement range	4		20	mA d.c.
Internal Resolution		0.05		mA d.c.
Accuracy (overall error)		± 1		% ±1count
Logging Rate	1 sec		12 hours	
Operating Temperature range	-35 (-31)		+80 (+176)	°C (°F)
1/2AA 3.6V Lithium Battery Life		1		year

Part No.	Parts and Accessories Description
1000300-1	4-20 mA USB Datalogger with Easy Log software

Specifications subject to change without notice.

Represented by:

Electro-Chemical Devices

1681 Kettering
Irvine, California, USA 92614
Phone: +1-949-336-6060
+1-800-729-1333
Fax: +1-949-336-6064
email: sales@ecdi.com
web: www.ecdi.com



USB DL H2911