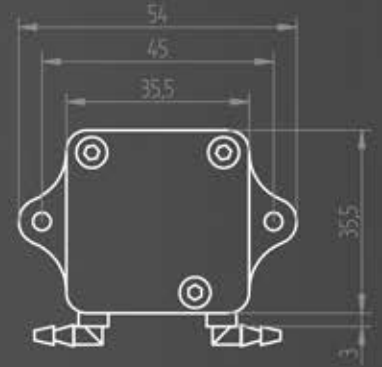
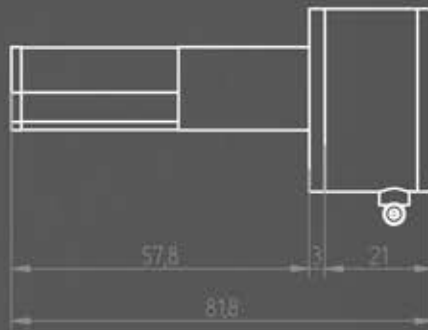




Miniature Peristaltic Pump



Compact size : Dimensions of 81.8mm x 35.5mm x 35.5mm (3.2in x 1.4in x 1.4in)

| | | |
|------------------------|--------------------|--|
| Specifications: | Discharge rate | 4 ml/min +10% (tap water at 20 °C/ 68 ° F) |
| | Discharge pressure | 50kPa (7.25 psi) |
| | Tube material | Norprene (I.D. 1.6 mm / 1/16 inch) |
| | Motor | DC geared motor |
| | Rated Voltage | DC 12V |
| | Power Consumption | 2.5 W |
| | Weight | 105 g (0.23 lbs) |
| | P/N: A46005126 | Miniature Peristaltic Pump for Reagents |

ECD Analyzers LLC

1500 North Kellogg Drive, Anaheim, CA 92807 USA

Tel +1 714 695 0051 - Fax + 714 695 0051

E-mail: Support@ECDanalyzers.com Website: www.ECDanalyzers.com